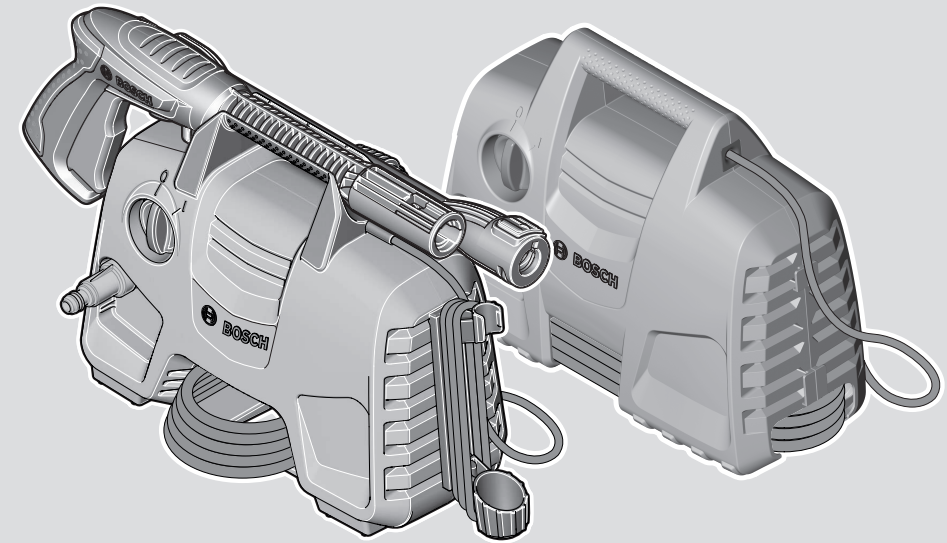




EasyAquatak

100 | 110 | 120



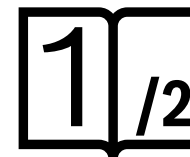
Robert Bosch Power Tools GmbH
70538 Stuttgart
GERMANY

www.bosch-pt.com

F 016 L94 124 (2022.11) 0 / 34



F 016 L94 124



en Original instructions
ar دليل التشغيل الأصلي
fa دفترچه راهنمای اصلی



English Page 3
عربي الصفحة 10
فارسی صفحه 17

CE / UK CA 2/2

English

Safety Notes

WARNING! Read all safety warnings and all instructions. Failure to follow the safety warnings and instructions may result in electric shock, fire and/or serious injury.

Explanation of symbols



General hazard safety alert.



Never direct the water jet at people, animals, the machine or electric components.

Warning: High pressure jets can be dangerous if subject to misuse.



According to the applicable regulations, the appliance must never be used on the drinking water network without a system separator. Use a separator as per IEC 61770 Type BA.

Water flowing through a system separator is considered not drinkable.

Safety Notes for pressure washer



Read all safety warnings and all instructions. Failure to follow the safety warnings and instructions may result in electric shock, fire and/or serious injury.

The warning and information signs attached to the unit provide important information for safe operation.

Apart from the information in the operating instructions comply with the general safety regulations and regulations for the prevention of accidents.

Connecting to the mains

- ▶ The voltage of the power source must correspond with the data on the type plate of the product.
- ▶ We recommend that this product is only connected into a socket which is protected by a circuit-breaker that would be actuated by a 30 mA residual current.



The circuit breaker supplying mains power to the high pressure washer should be rated $\geq 10A$ with a minimum Type C.

- ▶ The installation of the electrical supply must be carried out by a qualified electrician and must comply with IEC 60364-1.
- ▶ If the connecting cable or the mains plug are damaged, have the repair carried out by an authorised Bosch Service Centre.
- ▶ Plugs and sockets situated near the work site or outdoors should be to class IP 55 of BS 5490 to provide adequate protection against ingress of water, etc. and cable entries require effective sealing. Rubber shrouds should be provided over cable glands. Drip-proof (class IP X2 of BS

5490) plugs and sockets to BS 4343 are suitable for use indoors where the plug is away from the water spray area where the appliance is in use.

- ▶ Remove the plug from socket whenever the machine is left unattended for any period.
- ▶ Never touch the mains plug with wet hands.
- ▶ Do not pull plug while operating the device.
- ▶ Do not run over, crush or pull the power supply cord or extension cord, otherwise it may be damaged. Protect the cable from heat, oil and sharp edges.
- ▶ Do not use the unit, if the power supply cord or important parts, e. g. high-pressure hose, power gun or safety devices are damaged.



Warning: Inadequate extension cables can be dangerous. When using an extension cable, the plug and socket must be of watertight construction and suitable for outdoor use.

When using an extension cable, the extension cable must have the following dimensions:

- $\varnothing 2.5 \text{ mm}^2$, max. length 25 m
- ▶ Note: When using an extension cable, it must be earthed in accordance with the applicable regulations and connected to the earth cable of your power supply via the plug.
- ▶ The connections (plugs and sockets) should be kept dry and off the ground.

Water connection

- ▶ Comply with the regulations of your water supply company.
- ▶ All connecting hoses must have properly sealed joints.
- ▶ Make sure that the supply hose is at least 12.7 mm (1/2") in diameter and is reinforced.
- ▶ The appliance should never be used on the drinking water supply without a back flow valve. Water which has passed the back flow valve is regarded as undrinkable.
- ▶ The high-pressure hose must not be damaged (danger of bursting). A damaged high-pressure hose must be replaced immediately. Only use hoses and connections recommended by the manufacturer.
- ▶ High-pressure hoses, fittings and couplings are important for the safety of the appliance. Use only hoses, fittings and couplings recommended by the manufacturer.
- ▶ Only clean or filtered water should be used for intake.

Application

- ▶ Before use, check that the machine and operating equipment are in perfect condition and are safe to operate. Do not use if it is not in perfect condition.
- ▶ Do not direct the jet against yourself or others in order to clean clothes or footwear.
- ▶ Do not use solvent-containing liquids, undiluted acids, acetone or solvents, including petrol, paint thinners, heating oil. The sprayed vapours are highly flammable, explosive and toxic.

- ▶ The appropriate safety regulations must be observed when using the unit in dangerous areas (e. g. petrol stations). It is forbidden to operate the unit in potentially explosive locations.
- ▶ The unit must be placed on a solid base.
- ▶ Take care if using the machine in a confined space ensuring that there is adequate ventilation. Ensure that all vehicles are switched off at all times whilst cleaning.
- ▶ Operation of this machine requires both hands to be used at all times. Do not operate from a ladder. Take care when using the machine on balconies or other raised areas ensuring that you can see any edges at all times.
- ▶ The use of other cleaning agents or chemicals may adversely affect the safety of the machine.
- ▶ All current-conducting components in the work area must be protected against splashed water.
- ▶ The gun trigger must not be jammed in position "ON" during operation.
- ▶ During use of high pressure cleaners, aerosols may be formed. Inhalation of aerosols can be hazardous to health.
- ▶ Shielded nozzles can reduce the aerosol effect. If necessary wear personal protective equipment (PPE) e. g. safety goggles, breathing protection etc to protect against water, particles and/or aerosols sprayed back from parts.
- ▶ High pressure may cause objects to rebound. If necessary wear suitable personnel protective equipment such as safety goggles.
- ▶ Vehicle tyres/tyre valves may only be cleaned from a minimum distance of 30 cm in order to avoid damages by the high-pressure jet. The first indication of damage is the discolouration of the tyre. Damaged vehicle tyres/ tyre valves are dangerous to life.
- ▶ Materials containing asbestos and other materials which contain substances which are hazardous to your health must not be sprayed.
- ▶ Never use the pressure washer without the filter or with a dirty or damaged filter. Using the pressure washer without a filter or with a dirty or damaged filter may invalidate the warranty.
- ▶ Metal parts may become hot after prolonged usage. If necessary wear protective gloves.
- ▶ Avoid high pressure washing in bad weather conditions especially when there is a risk of lightning.
- ▶ Wear suitable protective clothing to protect against splash water. Do not use the appliance within the range of persons, unless they wear protective clothing.

Operation

- ▶ The operator must use the product in accordance with the regulations. The local conditions must be taken into account. When working, pay attention to other people, especially to children.
- ▶ The unit may only be used by authorised persons who have received training or have demonstrated their ability

to operate the unit. The unit must not be operated by children or juveniles (danger of accidents due to incorrect use of the unit).

- ▶ Never allow children, persons with physical, sensory or mental limitations or a lack of experience and/or knowledge and/or people unfamiliar with these instructions to use the product. Local regulations may restrict the age of the operator.
- ▶ Children should be supervised to ensure that they do not play with the product.
- ▶ The unit must never be left unsupervised while the unit is switched on.
- ▶ The water jet from the high-pressure nozzle produces a recoil on the gun. You should therefore hold the gun and spray lance firmly with both hands.
- ▶ Never use a roto nozzle or pencil jet to clean motor vehicles.

Transport

- ▶ Switch off the motor and secure the unit before transporting.

Maintenance





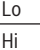
- ▶ Switch off the unit prior to all cleaning and maintenance work and before replacing components. Pull out the mains plug if the unit is mains-operated.
- ▶ Repairs may only be carried out by authorised Bosch Service Centres.


Accessories and spare parts

- ▶ Accessories and spare parts which have been approved by Bosch must be used. Original accessories and spare parts guarantee that the machine can be operated safely and without any breakdowns.

Symbols

The following symbols are important for reading and understanding the original instructions. Please take note of the symbols and their meaning. The correct interpretation of the symbols will help you to use the product in a better and safer manner.

Symbol	Meaning
	Movement direction
	Reaction direction
	Weight
	On
	Off
Lo	Low pressure
Hi	High pressure

Symbol	Meaning
	Accessories

Please observe the illustrations at the ending of this operating manual.

Product Description and Specifications



Read all safety warnings and all instructions. Failure to follow the safety warnings and instructions may result in electric shock, fire and/or serious injury.

Intended Use

The product is intended for cleaning areas and objects outside the house, tools, vehicles and boats, if the appropriate accessories and cleaning agents are used.

The intended use is related to operation within 0 °C and 40 °C ambient temperature.

This product should not be used for professional use.

Technical Data

Pressure washer		EasyAquatak 100	EasyAquatak 110	EasyAquatak 120
Article number		3 600 HA7 E..	3 600 HA7 F..	3 600 HA7 9..
Rated power	kW	1.1	1.3	1.5
Supply temperature max.	°C	40	40	40
Supply rate min.	l/min	5.5	5.5	5.9
Allowable pressure	MPa	10	11	12
Rated pressure	MPa	6.7	7.4	8
Rated Flow	l/min	4.5	4.7	5.4
Maximum inlet pressure	MPa	1	1	1
Autostop Function		●	●	●
Weight according to EPTA-Procedure 01:2014	kg	3.3	4.2	4.7
Protection class		□/II	□/II	□/II
Serial number		See serial number (rating plate) on pressure washer.		

The values given are valid for a voltage [U] of 240 V. For different voltages and models for specific countries, these values can vary.

Noise/Vibration Information

		3 600 HA7 E..	3 600 HA7 F..	3 600 HA7 9..
--	--	---------------	---------------	---------------

Noise emission values determined according to **EN 60335-2-79**.

Typically the A-weighted noise levels of the product are:

– Sound pressure level	dB(A)	80	85	80
– Uncertainty K	dB	3.0	3.0	2.0

Wear hearing protection!

Vibration total values a_h (triax vector sum) and uncertainty K determined according to **EN 60335-2-79**

– Vibration emission value a_h	m/s^2	1.8	4.0	1.7
– Uncertainty K	m/s^2	0.7	1.5	0.6

Mounting and Operation

Representation/Action Objective	Figure	Page
Delivery scope EasyAquatak 100	A	24
Delivery scope EasyAquatak 110/120	B	25

Representation/Action Objective	Figure	Page
Mounting cable bracket/in use storage for gun	C	26
Connecting/disconnecting high pressure gun to lance	D	26
Connecting/disconnecting nozzle	D	26

Representation/Action Objective	Figure	Page
Connecting/releasing pressurised water/disconnecting high pressure water supply hose	E	27
Connecting to the water supply	F	27
Switching On	G	28
Switching Off	H	28
Attaching Nozzle	I – J	29 – 30
Adjust water jet		
Connect detergent bottle	K	31
Clean nozzle	L	32
Clean both filters	M	32
Transport	N	33
Storage	O	33
Selecting accessories	P	34

Switching on

For Your Safety



Warning: Switch off, remove plug from mains before adjusting, cleaning or if cable is cut, damaged or entangled.

The operating voltage is 230 V AC, 50 Hz (for non-EU countries 220 V, 240 V as applicable). If in doubt contact a qualified electrician or the nearest Bosch Service Centre.

If you want to use an extension cable when operating your high pressure washer, only the following cable dimensions should be used:

– 2.5 mm² – max length 25 m

Note: If an extension cable is used it must be earthed and connected through the plug to the earth cable of your supply network in accordance with prescribed safety regulations.

If in doubt contact a qualified electrician or the nearest Bosch Service Centre.



WARNING: Inadequate extension cables can be dangerous. Extension cable, plug and socket must be of watertight construction and intended for outdoor use.

The connections (plugs and sockets) should be kept dry and off the ground.

For increased electrical safety use a Residual Current Device (RCD) with a tripping current of not more than 30 mA. Always check your RCD every time you use it.

If the supply cord is damaged, it must be replaced by a Bosch Service Centre.

For products not sold in GB:

Warning: For your safety, it is required that the plug attached to the product is connected with the extension cord. The coupling of the extension cord must be protected against splash water, be made of rubber or coated with rub-

ber. The extension cord must be used with a cable strain relief.

To prevent damage to the appliance, do not allow it to operate dry.

Products sold in GB only:

Your product is fitted with an BS 1363/A approved electric plug with internal fuse (ASTA approved to BS 1362).

If the plug is not suitable for your socket outlets, it should be cut off and an appropriate plug fitted in its place by an authorised customer service agent. The replacement plug should have the same fuse rating as the original plug.

The severed plug must be disposed of to avoid a possible shock hazard and should never be inserted into a mains socket elsewhere.

Operation

► To prevent damage to the appliance, do not allow it to operate dry.

Starting

Attach water supply hose (not supplied) to the mains water supply and machine.

Connect the product to the mains supply ensuring that the mains switch is in the off position.

Open water tap.

Press the safety lock (back button on the gun handle) to release the trigger. Fully press the trigger until there is a constant flow of water to clear the air from the machine and water supply hose. Release trigger. Press the safety lock (front button on the gun handle).

Turn button on main switch. Point the power gun downwards. Press the trigger safety lock to release the trigger. Fully press the trigger.

Autostop Function

The machine is designed to switch off the motor when the trigger is released on the gun.

Working Advice

General

► Never use a roto nozzle or pencil jet to clean motor vehicles.

Ensure that the pressure washer is on level ground.

Do not overreach with the high pressure hose or move the pressure washer by pulling the hose, this could cause the machine to become unstable and fall over.

Do not kink or drive a motor vehicle over the high pressure hose. Do not expose the high pressure hose to sharp edges or corners.

Working advice for cleaning with detergents

► Only use cleaning agents suitable specifically for high pressure washers.

- ▶ Detergents must not be used undiluted. The products are safe to use as they contain no acids, alkalis or substances which are detrimental to the environment. We recommend that the detergents are kept out of the reach of children. If detergent comes into contact with the eyes, wash immediately with plenty of water and if swallowed contact a doctor immediately.
- ▶ Comply with the application, disposal and warning instructions of the detergent manufacturers.

We recommend using cleaning agent sparingly in the interest of environmental protection. Observe the recommended dilution on the detergent label.

Recommended cleaning method

Step 1: Attach the fixed fan nozzle and remove the heavy dirt.

Only for EasyAquatak 110/120:

Step 2: Attach the foam bottle and spray on the detergent sparingly.

Step 3: Rinse off the loosened dirt and detergent with the fan nozzle.

Note: When cleaning a vertical surface spray off dirt/detergent from the bottom and work in an upwards direction. Rinse from the top and work downwards.

Use with alternative water sources

This high-pressure washer will self prime and can draw water from water tanks and natural water sources. It is IMPORTANT that the water is clean and the BOSCH inlet filter is clear and fitted to the machine.

Open tanks/containers and natural water sources

Use the Self Priming accessory kit comprising:

- Inlet strainer with non return valve
- 3 m reinforced supply hose
- Universal coupling to the pressure washer

This enables the pressure washer to draw water up to 0.5 m above the water level in the source. This may take up to 15 seconds.

Submerge the 3 m hose in water to displace the air. Connect the 3 m supply hose to the pressure washer ensuring that the inlet strainer remains submerged in the water source.

Run the pressure washer with the lance disconnected until a steady flow of water appears from the high pressure hose. Stop if this has not been achieved within 25 seconds and check all the connections. Switch off and connect the lance and nozzle to operate.

It is important to ensure that all hose and coupling connections are of good quality, air tight and that all washers are in good condition and correctly seated in place. Failure to do so may affect the self priming performance.

Water Tanks with outlet connections

When connecting the pressure washer to a water tank with a suitable tap outlet, first connect the supply hose (not provided) to the tank outlet, open the tap to allow the water to displace all the air in the hose and then connect to the pressure washer.

Troubleshooting

Problem	Possible Cause	Corrective Measure
Motor refuses to start	Plug not connected	Connect plug
	Mains socket faulty	Use another socket
	Circuit breaker activated/fuse blown	Reset the circuit breaker/Change the fuse and/or switch to another circuit with higher ampere consumption.
	Extension cable damaged	Try without extension cable
	Motor protector has activated	Allow to cool for 15 minutes
Motor stops	Frozen	Wait for pump/water supply hose/accessory to thaw
	Circuit breaker activated/fuse blown	Reset the circuit breaker/Change the fuse and/or switch to another circuit with higher ampere consumption.
	Wrong mains voltage	Check that mains voltage corresponds to specifications on the model tag
Circuit breaker activated	Motor protector has activated	Allow to cool for 15 minutes
	Circuit breaker rating too low	Switch to another circuit that allows for higher power consumption.
Motor starts but no pressure	Nozzle partly blocked	Clean nozzle

Problem	Possible Cause	Corrective Measure
Motor "sounds" but no function	Insufficient power supply	Check that the voltage of the mains power supply line is the same as that on the plate.
	Voltage loss due to use of extension cable	Check characteristics of extension cable
	Appliance not used for a long period of time	Contact your Bosch Service Centre
	Problems with TSS (Total Stop System) device	Contact your Bosch Service Centre
Pressure pulsating	Air in the inlet water supply hose/pump	Allow pressure washer to run with open spray handle and nozzle at low pressure until regular working pressure is obtained
	Inadequate water supply	Check that the water supply corresponds to specifications. The minimum specification for the water supply hose is 1/2" or 13 mm diameter
	Water filter blocked	Clean water filter
	Water supply hoses squeezed	Straighten out kinked water supply hoses
	High pressure hose too long	Remove high pressure extension hose. Retry (extension hose max. 7 m)
Pressure too low, but steady Note: Several types of accessory will normally deliver a lower pressure	Nozzle worn	Change the nozzle
	Start/stop valve worn	Activate trigger five times in quick succession
Motor starts up but with restricted or no working pressure	No water supply	Connect water supply
	Water filter clogged up	Clean the filter
	Nozzle clogged up	Clean nozzle
The pressure washer starts irregularly by itself	Pump/ power gun leaky	Contact your Bosch Service Centre
Water leaks from machine	Leaking pump	A slight water leak is permissible; in case of excessive leak, contact Bosch Service Centre.

Maintenance and Service

Maintenance

- Stop, remove plug from the power supply and disconnect from water supply.

Note: To ensure long and reliable service, carry out the following maintenance regularly.

Having two filters (internal and external) increases the protection from debris entering the machine and therefore extending product life.

Ensure both filters are kept clean and clear of debris at all time.

Regularly check for obvious defects such as loose fixings, and worn or damaged components.

Check that covers and guards are undamaged and correctly fitted. Carry out necessary maintenance or repairs before using.

In order to avoid safety hazards, if the power supply cord needs to be replaced, this must be done by **Bosch** or by an after-sales service centre that is authorised to repair **Bosch** power tools.

After use/Storage

Turn the main switch off and operate the trigger to release any built-up pressure and drain the water from the high pressure hose.

Clean the exterior of the machine thoroughly using a soft brush or cloth. Do not use water, solvents or polishes. Remove all debris, especially from the ventilation slots.

End of season storage: Drain water out of pump running motor for a few seconds. Pull trigger to release all water.

Do not place other objects on top of the machine.

Store in a frost-free area.

Ensure cables are not trapped when storing. Do not kink high pressure hose.

Filters

Having two filters (internal and external) increases the protection from debris entering the machine and therefore extending product life.

Ensure both filters are kept clean and clear of debris at all time.

Environmental Protection

Chemicals dangerous to the environment must not be allowed to enter the ground, ground water or ponds, streams, etc.

For the use of cleaning agents, observe the instructions on the package and the prescribed concentration exactly.

For the cleaning of motor vehicles the local regulations should be observed: Do not allow oil sprayed off to enter into the ground water. Recycle raw materials instead of waste disposal.

that are no longer usable must be collected separately and disposed of in an environmentally friendly manner.

After-Sales Service and Application Service

Our after-sales service responds to your questions concerning maintenance and repair of your product as well as spare parts. You can find explosion drawings and information on spare parts at: **www.bosch-pt.com**

The Bosch product use advice team will be happy to help you with any questions about our products and their accessories.

In all correspondence and spare parts orders, please always include the 10-digit article number given on the nameplate of the product.

Great Britain

Robert Bosch Ltd. (B.S.C.)
P.O. Box 98
Broadwater Park
North Orbital Road
Denham Uxbridge
UB 9 5HJ

At www.bosch-pt.co.uk you can order spare parts or arrange the collection of a product in need of servicing or repair.

Tel. Service: (0344) 7360109

E-Mail: boschservicecentre@bosch.com

You can find further service addresses at:

www.bosch-pt.com/serviceaddresses

Disposal

The product, accessories and packaging should be sorted for environmental-friendly recycling.



Do not dispose of products into household waste!

Only for EU countries:

According to the European Directive 2012/19/EU on Waste Electrical and Electronic Equipment and its implementation into national law, power tools that are no longer usable must be collected separately and disposed of in an environmentally friendly manner.

If disposed incorrectly, waste electrical and electronic equipment may have harmful effects on the environment and human health, due to the potential presence of hazardous substances.

Only for United Kingdom:

According to The Waste Electrical and Electronic Equipment Regulations 2013 (SI 2013/3113) (as amended), products

- ◀ اسحب القابس من المقبس حتى لو تركت الجهاز دون مراقبة لفترة قصيرة فقط.
- ◀ لا تلمس قابس الشبكة الكهربائية بواسطة اليدين المبتلئين إطلاقاً.
- ◀ لا تسحب قابس الشبكة الكهربائية أثناء العمل بواسطة الجهاز.
- ◀ لا تعبر خط الوصل بالشبكة الكهربائية أو كبل التمديد بواسطة السيارة ولا تقمطهما أو تسحبهما، فقد يؤدي ذلك إلى إتلافهما. احم الكبل من الحرارة والزيت والمواف الحادة.
- ◀ لا تستخدم الجهاز إذا كان هناك تلف بكبل الشبكة الكهربائية أو بأجزاء هامة كخرطوم الضغط العالي، مسدس البغ أو تجهيزات الوقاية.
- ◀ تنبيه: إن كبلات التمديد الغير نظامية قد تكون خطيرة. عند استخدام كابل التمديد يجب أن يصنع القابس والمقبس بحيث يكونان مقاومين للماء ومناسبين للاستخدام الخارجي. عند استخدام كابل التمديد، يجب ان تكون للكابل التمديد المقاسات التالية:
- القطر 2,5 مم، الطول الأقصى 25 م
- ◀ ملاحظة: في حالة استخدام كابل تمديد، فيجب تأريضه وفقاً للوائح السارية المفعول وتوصيله بالسلك الأرضي لمزود الطاقة الخاص بك عبر القابس.
- ◀ ينبغي المحافظة على الوصلات (القوابس والمقباس) في حالة جافة وعدم وضعها على الأرض.

الوصل بالماء

- ◀ تراعى أحكام مؤسسة الامداد بالماء.
- ◀ يجب أن تكون وصلات ربط خراطيم الوصل سدودة للماء.
- ◀ استخدم فقط خرطوم مقوى بقطر يبلغ 12,7 مم (1/2 إنش).
- ◀ لا يجوز أبداً أن يتم ربط الجهاز بمصدر الامداد بماء الشرب بلا صمام التدفق الرجعي. يعتبر الماء المتدفق عبر صمام التدفق الرجعي بأنه غير قابل للشرب.
- ◀ لا يجوز أن يكون خرطوم الضغط العالي تالف (خطر التصدع). يجب ان يتم استبدال خرطوم الضغط العالي التالف فوراً. يجوز استخدام الخراطيم والوصلات التي ينصح باستخدامها المنتج فقط.
- ◀ إن خراطيم الضغط العالي والمعدات والقارنات تلعب دوراً هاماً بالنسبة لأمان الجهاز. استخدم فقط الخراطيم والمعدات والقارنات التي ينصح باستخدامها المنتج.
- ◀ يسمح فقط باستخدام الماء النظيف أو المفلتر/ المرشح بوصلة الماء.

الاستخدام

- ◀ يجب أن يتم فحص سلامة وأمان تشغيل الجهاز والتوابع قبل الاستخدام. لا يجوز استخدامها إن لم تكن سليمة.
- ◀ لا توجه شعاع الماء على نفسك أو على غيرك بقصد تنظيف الثياب أو الأحذية.

عربي

ملاحظات الأمان

تحذيراً! اقرأ جميع ملاحظات الأمان و التعليمات. إن التقصير عند تطبيق ملاحظات الأمان و التعليمات قد يؤدي إلى الصدمات الكهربائية واندلاع الحرائق و/أو الإصابة بجروح خطيرة.

شرح صور الرموز

ملاحظة خطر عامة.



لا توجه شعاع الماء إطلاقاً على الأشخاص أو الحيوانات أو الجهاز أو الأجزاء الكهربائية.

تنبيه: قد يكون شعاع الضغط العالي خطيراً عند سوء الاستخدام.



لا يجوز ربط الجهاز بشبكة ماء الشرب دون فصل الأنظمة طبقاً للأحكام السارية. استخدم فاصل للأنظمة حسب IEC 61770 طراز BA.



إن الماء الذي يتدفق عبر فاصل الأنظمة لم يعد ماء للشرب.

ملاحظات الأمان لجهاز التنظيف بالضغط العالي

اقرأ جميع ملاحظات الأمان و التعليمات. إن التقصير عند تطبيق ملاحظات الأمان و التعليمات قد يؤدي إلى الصدمات الكهربائية واندلاع الحرائق و/أو الإصابة بجروح خطيرة.



تشير لافتات الملاحظات والتحذير المثبتة بالجهاز إلى ملاحظات هامة عن كيفية التشغيل بلا مخاطر. ينبغي مراعاة أحكام الأمان العامة وأحكام تجنب الحوادث إلى جانب الملاحظات المذكورة بتعليمات التشغيل.

الوصل بالكهرباء

- ◀ يجب أن يتوافق جهد منبع التيار مع المعلومات المذكورة على لافتة طراز الجهاز.
- ◀ ينصح بوصل هذا الجهاز فقط بمقبس تم تأمينه بمفتاح 30 ميلي أمبير للوقاية من التيار المتخلف.

يجب ان يكون مفتاح الوقاية الخاص بالإمداد بالكهرباء ≤ 10 أمبير ويجب ان يكون من النوع C على الأقل.



يجب ان يتم تركيب التوصيل بالكهرباء من قبل كهربائي مؤهل وبتوافق مع مواصفات IEC 60364-1.

في حالة تلف كابل الوصل أو قابس الشبكة الكهربائية، عليك مراجعة مركز خدمة وكالة شركة بوش من أجل التصليح.

التشغيل

- يجوز أن يتم تشغيل الجهاز من قبل المستخدم فقط طبقاً للاستعمال المخصص. ينبغي مراعاة ظروف مكان التشغيل. انتبه إلى الأشخاص الآخرين ولا سيما الأطفال أثناء أداء العمل.
- يجوز أن يتم استخدام الجهاز فقط من قبل الأشخاص المدربين على استخدامه واستعماله أو الذين أُتبتوا على قدرتهم باستخدام الجهاز. لا يجوز أن يتم تشغيل الجهاز من قبل الأطفال أو المراهقين.
- لا تسمح للأطفال أو للأشخاص ذوي المقدرات الجسدية أو الحسية أو العقلية المحدودة أو القليلي الخبرة و/أو المعدومي المعرفة و/أو للأشخاص الغير مطيعين على التعليمات هذه أبداً أن يستعملوا الجهاز. يجوز أن تحد الأحكام الوطنية من سن المستخدم.
- ينبغي مراقبة الأطفال لضمان عدم لعبهم بالجهاز. لا يجوز أبداً ترك الجهاز بلا مراقبة بعد تشغيله.
- شعاع الماء المتسرب من منفث الضغط العالي ينتج قوة ارتداد. لذلك امسك فرد البغ ومربة البغ جيداً بيدك الأثنين.
- لا تستعمل المنفث الدوار أو الشعاع النقطي أبداً من أجل تنظيف السيارات ذات المحرك.

النقل

- اطفئ وأمن الجهاز قبل نقله.

الصيانة

- اطفئ الجهاز قبل جميع أعمال التنظيف والصيانة واستبدال التوايح. اسحب القابس إن تم تشغيل الجهاز عبر الشبكة الكهربائية.
- يجوز أن تتم أعمال التصليح من قبل ورشات تصليح مركز خدمة زباتن وكالة بوش فقط.

التوايح وقطع الغيار

- يجوز فقط استخدام التوايح وقطع الغيار التي يسمح باستخدامها المنتج. تضمن التوايح الأصلية وقطع الغيار الأصلية تشغيل الجهاز بشكل سليم بلا خلل.

الرموز

- قد تكون الرموز التالية ذات أهمية من أجل قراءة وفهم تعليمات التشغيل. يرجى حفظ الرموز ومعناها. يساعدك تفسير الرموز بشكل صحيح على استعمال الجهاز بطريقة أفضل وأكثر أماناً.

الرمز	المعنى
	اتجاه الحركة
	جهة رد الفعل
	الوزن
	تشغيل

- لا يجوز استخدام السوائل التي تحتوي على المواد المحلّة، الحموض الغير ممددة، الأستون أو المواد المحلّة بما فيه البنزين، ممدد الطلاء ومازوت التدفئة، لأن رذاذ البغ الناتج عنها شديد الاشتعال والانفجار والسمية.
- يجب مراعاة أحكام الأمان الموافقة عند استخدام الجهاز في المجالات المعرضة للخطر (محطات الوقود مثلاً). يمنع التشغيل في الغرف المعرضة لخطر الانفجار.
- يجب أن تكون للجهاز أرضية ثابتة.
- احرص على توفر تهوية كافية عند الاستخدام داخل المحرات المغلقة. تأكد من أن العربات مطفاة (المحرك مطفاً) أثناء التنظيف.
- يتطلب استخدام منظف الضغط العالي كلتا اليدين. لا تزاول العمل واقفاً على سلم. احرص أثناء العمل على الشرفات أو غيرها من السطوح المرتفعة إلى إمكانية رؤية جميع الزوايا في أي وقت.
- يمكن ان يؤثر استخدام مواد التنظيف أو الكيماويات الأخرى على سلامة الماكينة.
- يجب أن تكون جميع الأجزاء التي يسري بها تيار كهربائي في مجال العمل ذو وقاية من رذاذ الماء.
- لا يجوز قمع ذراع الاطلاق بفرد البغ بوضع ON أثناء التشغيل.
- قد يتشكل الهباء الجوي عند استخدام أجهزة التنظيف بالضغط العالي. إن استنشاق الهباء الجوي مضر بالصحة.
- يمكن ان تخفض المنافث المحموجة فعالية الرش. ارتد عند الضرورة عتاد الوقاية الشخصي ضد رذاذ الماء، مثلاً: نظارات واقية، قناع للوقاية من الغبار وإلخ...، للاتقاء من الماء والجسيمات الدقيقة و/أو الهباء الجوي الذي قد يتم إعاكسه نموك.
- إن الضغط العالي قد يجعل الأغراض ترتد. ارتد عند الضرورة عتاد وقاية شخصي ملائم، كالنظارات الواقية مثلاً.
- نظف إطارات السيارات/الصمامات فقط ببعد أدناه 30 سم لتجنب التلف من قبل شعاع الضغط العالي. إن تغير لون الإطارات هو من المؤشرات الأولى للتلف. إن إطارات السيارات/الصمامات التالفة تعرض الحياة للخطر.
- لا يجوز البغ على المواد المحتوية على الأسبستوس أو غيرها من المواد المضرة بالصحة.
- لا تستخدم منظف الضغط العالي أبداً بلا مرشح، أو مع مرشح متسخ أو مع مرشح تالف. تلغى الكفالة عند استخدام منظف الضغط العالي بلا مرشح، أو مع مرشح متسخ أو تالف.
- إن الأجزاء المعدنية قد تسخن بعد الاستخدام لفترة طويلة. ارتد قفازات واقية عند الضرورة.
- لا تعمل بواسطة منظف الضغط العالي عندما تكون ظروف الطقس رديئة ولاسيما عند بدء العواصف.
- ارتد ثياب الوقاية الملائمة ضد رذاذ الماء. لا تستعمل الجهاز على مقربة من الأشخاص الآخرين، إلا إن كانوا يرتدون الثياب الواقية.

الكهربائية واندلاع المرائق و/أو الإصابة بجروح خطيرة. انتبه للصور في الجزء الخلفي لتعليمات التشغيل هذه.

الاستعمال المخصص

لقد خصص الجهاز لتنظيف السطوح والأغراض خارج المنزل، ولتنظيف المعدات والمركبات والقوارب، بشرط استخدام التوابع ومواد التنظيف الملائمة. يستند الاستعمال المخصص على درجة حرارة محيطية بين 0 و 40 درجة مئوية. لا يصلح هذا المنتج للاستعمال المرقي.

الرمز	المعنى
	إطفاء
Lo	ضغط منخفض
Hi	ضغط مرتفع
	التوابع

وصف المنتج والأداء

اقرأ جميع ملاحظات الأمان و التعليمات. إن التفصيل عند تطبيق ملاحظات الأمان و التعليمات قد يؤدي إلى الصدمات



البيانات الفنية

EasyAquatak 120	EasyAquatak 110	EasyAquatak 100	منظف الضغط العالي
3 600 HA7 9..	3 600 HA7 F..	3 600 HA7 E..	رقم الصنف
1.5	1.3	1.1	القدرة الاسمية
40	40	40	درجة الحرارة القصوى لمدخل الماء
5.9	5.5	5.5	كمية الامداد الدنيا بالماء
12	11	10	الضغط المسموح
8	7.4	6.7	الضغط الاسمي
5.4	4.7	4.5	التدفق
1	1	1	ضغط الدخل الأقصى
●	●	●	وظيفة الإيقاف الآلي
4.7	4.2	3.3	الوزن حسب EPTA-Procedure 01:2014
II/□	II/□	II/□	فئة الوقاية
راجع الرقم المتسلسل (لافتة الطراز) على منظف الضغط العالي			رقم التسلسل

القيم سارية المفعول لجهد [U] بمقدار 240 فولط. قد تتفاوت هذه القيم عندما يختلف الجهد عن ذلك أو بطرازات خاصة ببلدان معينة.

التركيب والتشغيل

الصفحة	الصورة	الصورة / غرض العمل
27	F	الوصل بالماء
28	G	التشغيل
28	H	الإطفاء
30 - 29	I - J	تركيب المنفذ
		ضبط شعاع المنفذ
31	K	وصل قارورة المواد التنظيفية
32	L	قم بتنظيف المنفذ
32	M	تنظيف كلا المرشحين
33	N	النقل
33	O	التخزين
34	P	اختيار التوابع

الصفحة	الصورة	الصورة / غرض العمل
24	A	نطاق التوريد EasyAquatak 100
25	B	نطاق التوريد EasyAquatak 110/120
26	C	تركيب حامل الكبل/أثناء الاستخدام لخزن الفرد
26	D	تركيب/فك الحربة على/عن فرد البخ
26	D	تركيب/فك المنفذ
27	E	تركيب/فك خرطوم الضغط العالي

بدئ التشغيل

من أجل سلامتك



تنبيه! اطفئ الجهاز واسحب قابس الشبكة الكهربائية قبل إجراء أعمال الصيانة أو التنظيف. يطبق ذلك أيضا في حال تلف أو قص أو التفاف كابل الشبكة الكهربائية. يبلغ جهد التشغيل 230 فولت تيار متناوب، 50 هرتز (بالنسبة لغير دول الجماعة الأوروبية 220 فولط، 240 فولط حسب الطراز). يكثر على المزيد من المعلومات لدى مركز الوكالة لخدمة الزبائن. إن أردت أن تستخدم كبل تمديد أثناء تشغيل منظم الضغط العالي، فإن ذلك يتطلب ناقل بالمقاطع التالية:

– 2,5 مم² إلى حد طول أقصاه 25 م

ملحوظة: إن تم استخدام كبل تمديد، توجب أن يمتاز كما تم وصفه بتعليمات الأمان – بناقل وقائي يتم وصله عبر القابس بالناقل الوقائي بشبكته الكهربائية للتأريض.

يفضل أن تستشير كهربائي متخصص أو مركز صيانة بوش في حال الشك.



احترس! إن كابلات التمديد المخالفة للأحكام قد تكون خطيرة. يجب أن تكون كابلات التمديد والقواسم والقارنات من النوعية المعزولة ضد الماء والمخصصة للاستعمال الخارجي.

ينبغي أن تكون وصلات الكبلات (كبل الشبكة الكهربائية والمقابس) جافة ولا يجب أن تكون موصولة على الأرض.

لزيادة الأمان استخدم مفتاح للوقاية من التيار المتخلف (RCD) مناسب لتيار متخلف حتى 30 ميلي أمبير كحد أقصى. ينبغي أن يتم فحص مفتاح الواقي من التيار المتخلف قبل كل استعمال.

يسمح بتصليح خط الوصل التالف من قبل ورشة تصليح وكالة بوش فقط.

ملحوظة خاصة بالمنتجات التي لا تباع في بريطانيا: تنبيه: يطلب للمحافظة على أمانك أن يتم وصل

القابس المركب على جهاز الحديقة بكبل التمديد. ينبغي أن يكون قد تم وقاية قارنات كابل التمديد من رذاذ الماء، وأن تكون مصنوعة من المطاط أو أن تكون مغلفة بالمطاط. ينبغي أن يتم استخدام كبل التمديد بالاتصال مع مخفف للسحب.

يراعى بأن هذا الجهاز لا يجوز أن يعمل بلا ماء.

التشغيل

◀ يراعى بأن هذا الجهاز لا يجوز أن يعمل بلا ماء.

التشغيل

اربط خرطوم الماء (غير مرفق) بمنبع الامداد بالماء وبالجهاز.

تأكد من ضبط مفتاح الشبكة الكهربائية على وضع 0 وقم بوصل الجهاز بالمقبس.

افتح صنبور الماء.

اكبس قفل منع التشغيل (المفتاح الخلفي بمقبض الفرد) لإطلاق سراح الزناد. اضغط على الزناد بشكل

مطلق، إلى أن يتدفق الماء بشكل منتظم وإلى حد عدم توفر الهواء في الجهاز وفي خرطوم الضغط العالي. اترك سراح الزناد. اكبس قفل منع التشغيل (المفتاح الأمامي بمقبض الفرد).

افتل مفتاح الشبكة الكهربائية. قم بتوجيه فرد البخ إلى الأسفل. اكبس قفل منع التشغيل لإطلاق سراح الزناد. اضغط على الزناد بشكل مطلق.

وظيفة الإيقاف الآلي

يطفئ الجهاز المحرك فور إطلاق الزناد بمقبض المسدس.

ملاحظات عمل

عام

◀ لا تستعمل المنفث الدوار أو الشعاع النقطي أبداً من أجل تنظيف السيارات ذات المحرك.

احرص على ركن منظم للضغط العالي على أرضية مستوية.

لا تقترب بخرطوم الضغط العالي نحو الأمام بشكل زائد كما لا تسمح بمنظم الضغط العالي من قبل الخرطوم. قد يؤدي ذلك إلى عدم وقوف منظم الضغط العالي بثبات، فيسقط ويقلب.

لا تثن خرطوم الضغط العالي ولا تعبره بسيارة. احم خرطوم الضغط العالي من الحواف أو الزوايا الحادة.

ملاحظات عمل من أجل العمل مع المواد التنظيفية

◀ استخدم فقط المواد التنظيفية المخصصة بشكل صريح لأجهزة التنظيف بالضغط العالي.

◀ لا تستعمل مواد التنظيف دون تخفيفها. إن هذه المنتجات آمنة إذ أنها لا تحتوي على الحموض أو القلويات أو المواد المضرّة بالبيئة. إننا ننصح بالاحتفاظ بالمواد التنظيفية بمكان بعيد عن منازل الأطفال. اشطف العينين بالماء فوراً إن لامست المواد التنظيفية. وراجع الطبيب فوراً عند ابتلاع المواد التنظيفية.

◀ راع إرشادات الشركة المصنعة بخصوص الاستعمال والإتلاف والإنذار.

إننا ننصح باستخدام المواد التنظيفية بطريقة اقتصادية حفاظاً على البيئة. تراعى نصائح التخفيف المدونة على القارورة.

اسلوب التنظيف المنصوح

الخطوة 1: ركب منفث الشعاع المسطح لإزالة الأوساخ الخشنة.

فقط للـ EasyAquatak 110/120:

الخطوة 2: ركب قارورة المواد التنظيفية وضع القليل من المواد التنظيفية.

الخطوة 3: اشطف الأوساخ المنحلة والمواد التنظيفية بواسطة منفث الشعاع المسطح.

ملاحظة: ابدأ ببخ المواد التنظيفية/الأوساخ من الأسفل عند تنظيف السطوح العمودية وانتقل شيئاً فشيئاً نحو الأعلى. أما عند إزالة الأوساخ فابدأ من الأعلى وانتقل شيئاً فشيئاً نحو الأسفل.

الضغط العالي، واحرص على إبقاء مصفاة الشفط تحت الماء.
شغل منظف الضغط العالي بعد فك فرد البخ إلى أن يتدفق الماء من خرطوم الضغط العالي بشكل منتظم. إن لم يتدفق الماء بعد 25 ثا، اطفئه وافحص جميع الوصلات. إن تدفق الماء، فاطفئ منظف الضغط العالي وركب فرد البخ وحربة البخ للبدء بالعمل.
في بالغ الأهمية أن يكون الخرطوم وأيضاً القارات من نوعية جيدة وأن تكون مرتبطة بطريقة مانعة للتسريب وأن تكون جميع الفلك سليمة وغير تالفة ومركبة بشكل مستقيم. إن الوصلات التي تقوم بالتسريب قد تعيق عملية الشفط.

وعاء الماء مع صنوبر التفريغ

إن كان من المرغوب وصل منظف الضغط العالي بخزان مزود بصنوبر تفريغ مناسب، توجب وصل خرطوم ماء (غير مضمن بإطار التسليم) بالصنوبر أولاً. افتح الصنوبر لإزاحة الهواء من الخرطوم بشكل كامل ثم اربطه بمنظف الضغط العالي.

الاستعمال بمصادر مائية بديلة

يتميز منظف الضغط العالي هذا بالشفط الذاتي ويسمح بشفط الماء من الأوعية أو من المصادر الطبيعية. من المهم أن يكون قد تم تنظيف وتركيب مرشح بوش بمدخل الماء وأن يتم شفط الماء النقي فقط.

الخزانات/الأوعية المفتوحة والمياه الطبيعية

استخدم توابع الشفط الذاتي التي تتألف من:

- مصفاة الشفط مع الصمام اللارجعي
 - خرطوم شفط مقوى 3 م
 - قارئة عامة لمنظف الضغط العالي
- تسمح هذه التوابع لمنظف الضغط العالي بشفط الماء من ارتفاع 0,5 م فوق مستوى الماء. قد يستغرق ذلك 15 ثا تقريبا.
اغس خرطوم الـ 3 م في الماء بشكل كامل من أجل إزاحة الهواء. اربط خرطوم الشفط 3 م بمنظف

البحث عن الأخطاء

الأخطاء	السبب المحتمل	العلاج
المحرك لا يشتغل	لم يتم وصل القابس	اربط القابس
	المقيس تالف	استخدم مقيس آخر
	تم تشغيل مفتاح الوقاية/احترق المنصهر	ضع مفتاح الوقاية في الوضع الأصلي أو استبدل المنصهر و/أو قم بالنقل إلى دائرة كهربائية ذات استهلاك أعلى للأمبير
	كابيل التمديد تالف	حاول بلا كابل التمديد
	تم إطلاق واقية المحرك	اترك المحرك لمدة 15 دقيقة ليبرد.
	هناك تجمد	اسمح بإذابة التجمد عن المضخة وخرطوم الماء والتوابع
المحرك يتوقف	تم تشغيل مفتاح الوقاية/احترق المنصهر	ضع مفتاح الوقاية في الوضع الأصلي أو استبدل المنصهر و/أو قم بالنقل إلى دائرة كهربائية ذات استهلاك أعلى للأمبير
	جهد الشبكة الكهربائية غير صحيح	افحص جهد الشبكة الكهربائية، يجب أن يوافق المعلومات المذكورة على لافتة الطراز
	تم إطلاق واقية المحرك	اترك المحرك لمدة 15 دقيقة ليبرد.
تم تشغيل مفتاح الوقاية	مفتاح الوقاية ضعيف جداً	قم بالانتقال إلى دائرة كهربائية يكون فيها استهلاك الكهرباء أعلى
المحرك يعمل ولكن لا يوجد ضغط	المنفث مسدود جزئياً	قم بتنظيف المنفث
صوت المحرك متوفر ولكن بلا عمل	جهد تيار الشبكة الكهربائية غير كافي	افحص توافق جهد الشبكة الكهربائية مع المعلومات المذكورة على لافتة الطراز.
	الجهد شديد الانخفاض بسبب استخدام كبل تمديد	افحص صلاحية كبل التمديد
	لم يتم استخدام الجهاز لفترة طويلة	اتصل بمركز خدمة وكالة شركة بوش
	مشاكل بوظيفة الإيقاف الآلي	اتصل بمركز خدمة وكالة شركة بوش
الضغط ينضب	هواء في خرطوم الماء أو المضخة	يدار منظف الضغط العالي مع فتح فرد البخ وصنوبر الماء وضبط المنفث على الضغط المنخفض إلى حد التوصل إلى ضغط عمل منتظم

الأخطاء	السبب المحتمل	العلاج
	الإمداد بالماء غير سليم	افحص عما إن كان إمداد الماء يوافق المعلومات المذكورة في البيانات الفنية. إن أصغر خراطيم الماء المسموح استعمالها هي 1/2 إنش أو 13 مم Ø
	مرشح الماء مسدود	نظف مرشح الماء
	خرطوم الماء مثني أو ملتوي	مد خرطوم الماء بشكل مستقيم
	خرطوم الضغط العالي أطول من المسموح	فك تمديد خرطوم الضغط العالي، طول خرطوم الماء الأقصى 7 م
الضغط منتظم ولكنه أدنى من المطلوب ملحوظة: بعض التوابع تؤدي إلى ضغط منخفض	المنفذ مستهلك	قم بتغيير المنفذ
	صمام البديء/التوقف مستهلك	اضغط على الزناد بسرعة 5 مرات متتالية
المحرك يعمل، ولكن الضغط محدود أو لا يوجد ضغط عمل	لم يتم وصل الماء	صل الماء
	المرشح مسدود	تنظيف المرشح
	المنفذ مسدود	قم بتنظيف المنفذ
منظف الضغط العالي يبدأ بالإدارة من تلقاء نفسه	المضخة أو فرد البخ يسرب	اتصل بمركز خدمة وكالة شركة بوش
الجهاز يسرب	المضخة تسرب	تسرب ماء بسيط مسموح. اتصل بخدمة الزبائن إن كان التسرب كبير

الصيانة والخدمة

الصيانة

◀ اسحب قابس الشبكة الكهربائية وفك وصلة الإمداد بالماء قبل البدء بأي أعمال على الجهاز. ملاحظة: طبق أعمال الصيانة التالية بشكل منتظم، لكي تضمن مدة استعمال طويلة وموثوقة. يزيد استخدام مرشحين (مرشح خارجي ومرشح داخلي) من الوقاية من دخول الأوساخ في الماكينة وهذا ما يطيل من عمر الجهاز. أحرص دائماً إن يكون المرشحين نظيفين خاليين من الأوساخ دائماً. افحص الجهاز بشكل منتظم بحثاً عن العيوب الواضحة، كالوصلات المنحلة والقطع المستهلكة أو التالفة. افحص عما إن كانت الأغشية وتجهيزات الوقاية سليمة وإن كان قد تم تركيبها بشكل صحيح. ينبغي أن تقوم بأعمال الصيانة والتصليح الضرورية إن وجدت، قبل الاستخدام. إذا تطلب الأمر استبدال خط الإمداد، فينبغي أن يتم ذلك من قبل شركة **Bosch** أو من قبل مركز خدمة الزبائن المعتمد لشركة **Bosch** للعدد الكهربائية، لتجنب التعرض للمخاطر.

بعد الاستخدام/الخزن

قم بإطفاء مفتاح التشغيل والإطفاء واكيس الزناد من أجل تخفيف الضغط المتراكم وتفريغ خرطوم الضغط العالي.

نظف منظف الضغط العالي من الخارج بواسطة فرشاة طرية وقطعة قماش. لا يجوز استعمال الماء أو المواد المحللة أو مواد الصقل. أزل جميع الأوساخ ولاسيما عن شقوق تهوية المحرك.

التخزين بنهاية الموسم. أفرغ الماء من المضخة بشكل كامل من خلال إدارة المحرك لعدة ثوان مع الضغط على الزناد.

لا تترك أبية أغراض أخرى على منظف الضغط العالي. اخزن الجهاز بمحيط خال من الصقيع. احرص على عدم ثني الكبلات أثناء التخزين. لا تلوي خرطوم الضغط العالي.

المرشح

يزيد استخدام مرشمين (مرشح خارجي ومرشح داخلي) من الوقاية من دخول الأوساخ في الماكينة وهذا ما يطيل من عمر الجهاز. أحرص دائماً أن يكون المرشحين نظيفين خاليين من الأوساخ دائماً.

حماية البيئة

لا يجوز أن تصل المواد الكيماوية المضرة بالبيئة إلى الأرض والمياه الجوفية والبحيرات والأنهر وإلخ. تقيد بالمعلومات المذكورة على الغلاف وبالتركيز المطلوب بشكل دقيق عند استخدام مواد التنظيف. تراعى الأحكام المحلية عند تنظيف السيارات ذات المحرك؛ يمنع وصول الزيوت التي تم إزالتها بالبخ إلى المياه الجوفية.

خدمة العملاء واستشارات الاستخدام

يجيب مركز خدمة العملاء على الأسئلة المتعلقة بإصلاح المنتج وصيانته، بالإضافة لقطع الغيار. تجد الرسوم التفصيلية والمعلومات الخاصة بقطع الغيار في الموقع: www.bosch-pt.com

يسر فريق Bosch لاستشارات الاستخدام مساعدتك إذا كان لديك أي استفسارات بخصوص منتجاتنا وملحقاتها.

يلزم ذكر رقم الصنف ذو الثانات العشر وفقاً للوحة
صنع المنتج عند إرسال أية استفسارات أو طلبات
قطع غيار.

تجد المزيد من عناوين الخدمة تحت:

www.bosch-pt.com/serviceaddresses

التخلص من العدة الكهربائية

يجب التخلص من الأجهزة والتوابع والتغليف بطريقة
منصفة بالبيئة عن طريق النفايات القابلة لإعادة
التصنيع.

لا تقم برمي الأجهزة والمنتجات الأخرى في
النفايات المنزلية!



فقط لدول الاتحاد الأوروبي:

حسب التوجيه الأوروبي 2012/19/EU بصدد الأجهزة
الكهربائية والإلكترونية القديمة وتطبيقه ضمن
القانون المحلي، ينبغي جمع العدة الكهربائية التي لم
تعد صالحة للاستعمال بشكل منفصل، وتسليمها لمركز
يقوم بإعادة استغلالها بطريقة محافظة على البيئة.
قد يتسبب التخلص غير السليم من الأجهزة الكهربائية
والإلكترونية القديمة في آثار ضارة على البيئة وصحة
الإنسان نتيجة لاحتمالية وجود مواد خطرة فيها.

فارسی

دستورات ایمنی

هشدار! همه دستورات ایمنی و راهنمایی‌ها را بخوانید. اشتباهات ناشی از عدم رعایت این دستورات ایمنی ممکن است باعث برق گرفتگی، سوختگی و یا سایر جراحات‌های شدید شود.

توضیح علائم

هشدارهای عمومی.



سر آبیاش را هرگز به طرف انسانها، حیوانات، خود دستگاه و قسمت‌های الکتریکی نگیرید.



توجه: آب فشار قوی در صورت استفاده غیر معمول خطرناک است.

دستگاه بر اساس مقررات معتبر نباید بدون جدایی از سیستم به شبکه آب آشامیدنی متصل گردد. از یک جدا کننده سیستم بر طبق IEC 61770 Typ BA استفاده کنید.



آبی که از جدا کننده جاری می‌شود، دیگر قابل آشامیدن نیست.

دستورات ایمنی برای شوینده های فشار قوی

همه دستورات ایمنی و راهنمایی‌ها را بخوانید. اشتباهات ناشی از عدم رعایت این دستورات ایمنی ممکن است باعث برق گرفتگی، سوختگی و یا سایر جراحات‌های شدید شود.



برچسب‌های هشدار نصب شده روی دستگاه، تذکرات مهم را برای کاربرد بی‌خطر ارائه می‌کنند. علاوه بر تذکرات موجود در دفترچه راهنما بایستی دستورات ایمنی عمومی و مقررات جلوگیری از حادثه را رعایت نمود.

اتصال به برق

ولتاژ منبع جریان برق باید با مقادیر موجود بر روی برچسب محصول مطابقت داشته باشد.
توصیه می‌شود، محصول را فقط به یک پریزی وصل کنید که مجهز به یک کلید حفاظ با جریان خطای حداکثر 30 میلی آمپر باشد.

کلید محافظ بایستی $\leq A 10$ (بیشتر یا مساوی 16 آمپر) را نشان دهد و دست کم مدل C باشد.



اتصال به جریان برق بایستی توسط متخصص برق مطابق IEC 60364-1 انجام شود.

در صورت آسیدیدگی کابل اتصال یا دوشاخه بایستی جهت به نمایندگی مجاز Bosch مراجعه کرد.

- ◀ دوشاخه را از پریز بیرون بکشید، حتی اگر برای مدت کوتاه دستگاه را بدون نظارت رها می‌کنید.
- ◀ دوشاخه را هرگز با دست خیس نگیرید.
- ◀ هنگام کار با دستگاه، دوشاخه را نکشید.
- ◀ کابل اتصال یا کابل رابط را لگد مال یا له نکنید، آن را نکشید، چون ممکن است آسیب ببیند. کابل اتصال/رابط را در برابر گرما، روغن و لبه‌های تیز محفوظ بدارید.
- ◀ چنانچه دوشاخه یا قسمت‌های مهم مانند شلنگ فشار قوی، پیستوله یا تجهیزات ایمنی آسیب دیده اند، از دستگاه استفاده نکنید.

توجه: کابل رابط غیر استاندارد ممکن است خطر ساز باشد. در صورت کاربری کابل رابط بایستی دوشاخه و پریز آن ضد آب و برای استفاده در فضای باز مجاز باشند. کابل رابط مورد استفاده بایستی دارای ابعاد زیر باشد:



– $2,5 \text{ mm}^2$ Ø، بیشینه طول 25 متر

- ◀ تذکر: کابل رابط مورد استفاده بایستی مطابق دستورات دارای ارت زمین باشد و با دوشاخه به کابل ارت شبکه برق شما متصل باشد.
- ◀ اتصالات (دوشاخه و پریزها) بایستی خشک نگهداشته شوند و روی زمین قرار نگیرند.

شیر آب

- ◀ به مقررات سازمان تأمین آب خود توجه کنید.
- ◀ تمام اتصالات شلنگ‌ها بایستی آب بندی باشند.
- ◀ تنها از یک شلنگ قوی با قطر 12,7 mm (1/2") استفاده کنید.
- ◀ دستگاه را هرگز نباید بدون سوپاپ (شیر) اطمینان برگشت جریان به منبع آب آشامیدنی وصل کرد. آبی که از شیر اطمینان جاری می‌شود، قابل آشامیدن نیست.
- ◀ شلنگ فشار قوی نباید دارای آسیب دیدگی باشد (خطر ترکیدگی). شلنگ فشار قوی آسیب دیده را بایستی بی‌درنگ تعویض کرد. تنها باید از شلنگ‌ها و اتصالات توصیه شده توسط شرکت استفاده کرد.
- ◀ شلنگ‌های فشار قوی، شیرآلات و اتصالات برای ایمنی دستگاه مهم هستند. تنها از شلنگ‌ها، شیرآلات و اتصالات توصیه شده توسط شرکت استفاده کنید.
- ◀ در محل اتصال به آب بایستی از آب تمیز و فیلتر شده استفاده کنید.

کاربرد

- ◀ قبل از کاربرد دستگاه با متعلقات، آن را از لحاظ وضعیت مطابق با استاندارد و نیز از نظر ایمنی کارکرد کنترل کنید. چنانچه وضعیت دستگاه مناسب نباشد، نباید آن را بکار برد.
- ◀ سر آبیاش را به طرف خود یا دیگران جهت تمیز کردن لباس یا کفش نگیرید.
- ◀ نباید مایعات دارای حلال، اسیدهای خالص، استون یا حلال‌هایی مانند بنزین، تینر و نفت مکیده شوند، چون بخار حاصل از آنها بسیار قابل اشتعال و انفجار و نیز سمی هستند.

کاربری

- ◀ هنگام استفاده از دستگاه در جاهای خطرناک (مانند پمپ بنزین) بایستی به مقررات ایمنی مربوط توجه کرد. کاربرد دستگاه در مکانهای دارای خطر انفجار ممنوع است.
- ◀ دستگاه باید روی کف محکم و ثابت قرار گیرد.
- ◀ هنگام استفاده در مکانهای سرپوشیده به تهویه کافی توجه کنید. از خاموش بودن خودروها هنگام تمیزکاری مطمئن شوید (موتور را خاموش کنید).
- ◀ هنگام استفاده، دستگاه شوینده فشار قوی را با دو دست بگیرید. روی نردبان کار نکنید. هنگام کار روی بالکنها و سطوح مرتفع به قابل دید بودن همه گوشه ها توجه کنید.
- ◀ کاربرد سایر مواد تمیز کننده و شیمیایی ممکن است ایمنی دستگاه را مختل کند.
- ◀ تمام قسمتهای حامل جریان در محدوده کار بایستی در برابر وریاش آب مصون باشند.
- ◀ اهرم پیستوله نباید هنگام کار در حالت ON گیر کند.
- ◀ هنگام استفاده از دستگاه شوینده فشار قوی ممکن است ذرات معلق در هوا ایجاد شوند. استشمام این ذرات برای سلامتی مضر است.
- ◀ نازل های چرب شده ممکن است تأثیر ذرات غبار را کاهش دهند. در صورت نیاز از تجهیزات ایمنی مناسب (شخصی) در برابر وریاش آب مانند عینک ایمنی، ماسک ضد غبار و غیره استفاده کنید، تا در برابر آب، ذرات غباری که از اجسام منعکس می شوند، مصون بمانید.
- ◀ فشار قوی می تواند اشیاء را به طرف کاربر برگرداند. در صورت لزوم از تجهیزات ایمنی شخصی مانند عینک ایمنی استفاده کنید.
- ◀ جهت جلوگیری از آسیب دیدگی توسط آب فشار قوی، لاستیکهای ماشین/بارفها (سوپاپها) را فقط با حداقل فاصله 30 سانتیمتر تمیز کنید. تولید نشانه آسیب دیدگی، تغییر رنگ لاستیک است.
- ◀ لاستیکهای ماشین/بارفها (سوپاپها) آسیب دیده برای سلامتی خطرناک هستند.
- ◀ مواد دارای آزیست یا موادی که سلامتی را تهدید می کنند را نباید در مسیر آب فشار قوی قرار گیرند.
- ◀ از شوینده فشار قوی هرگز بدون فیلتر، با فیلتر کثیف یا آسیب دیده استفاده نکنید. در صورت استفاده از دستگاه بدون فیلتر یا با فیلتر آسیب دیده یا کثیف، ضمانت از بین می رود.
- ◀ قسمتهای فلزی ممکن است پس از کاربرد طولانی داغ شوند. در صورت نیاز از دستکش ایمنی استفاده کنید.
- ◀ در صورت بد بودن هوا بخصوص هنگام رعد و برق با شوینده فشار قوی کار نکنید.
- ◀ در برابر وریاش آب از لباس محافظ مناسب استفاده کنید. از دستگاه در حضور اشخاص استفاده نکنید، جز اینکه آنها مجهز به لباس محافظ باشند.

- ◀ کاربر باید از محصول مطابق مقررات استفاده کند. به وضعیت محل کار توجه کنید. هنگام کار کاملا به اشخاص توجه کنید، بخصوص کودکان.
- ◀ تنها افرادی که با روش کاربری دستگاه توجیه شده اند یا گواهی دال بر توانایی کار کردن با دستگاه را دارند، می توانند از دستگاه استفاده کنند. دستگاه نباید توسط کودکان یا جوانان بکار برده شود.
- ◀ هرگز به کودکان و سایر افراد دارای کاستیهای روحی و جسمی یا بدون تجربه یا آشنایی با به اشخاص بدون اطلاع از روش کاربری اجازه استفاده از محصول را ندهید. مقررات مربوط به هر کشور می توانند سن کاربر را محدود کنند.
- ◀ کودکان باید زیر نظر باشند تا اطمینان حاصل شود که آنها با محصول بازی نمی کنند.
- ◀ دستگاه را در صورت روشن بودن نباید بدون نظارت رها کرد.
- ◀ آب جاری از نازل فشار قوی، ضربه برگشتی تولید می کند. از اینرو پیستوله و میله آب پاش را با هر دو دست محکم نگهدارید.
- ◀ هرگز از نازل چرخان یا افشانک نقطه ای جهت تمیز کردن خودروها استفاده نکنید.

حمل و نقل

- ◀ قبل از حمل و نقل، دستگاه را خاموش و ایمن کنید.

سرویس و مراقبت




- ◀ قبل از انجام سرویس و تمیز کاری و نیز تعویض متعلقات، دستگاه را خاموش کنید. چنانچه دستگاه با ولتاژ شبکه، تغذیه می شود، دو شاخه را بکشید.
- ◀ تعمیرات و سرویس باید تنها توسط خدمات پس از فروش ابزارآلات برقی مجاز بوش انجام شوند.

متعلقات و قطعات یدکی

- ◀ فقط باید از متعلقات و قطعات یدکی استفاده کرد که توسط سازنده مجاز شناخته شده اند.
- ◀ متعلقات و قطعات یدکی اصل، کارایی بی نقص دستگاه را تضمین می کنند.

علامت ها

- ◀ علامتهای ذیل برای استفاده از چاروبرقی مهم می باشند. لطفا این علائم و معانی آنها را به خاطر بسپارید. فهم درست این علائم به شما جهت استفاده ی درست و ایمن از محصول کمک می کند.

معنی	علامت
مسیر یا جهت حرکت	
مسیر یا جهت عکس العمل	
وزن	

برق گرفتگی، سوختگی و یا سایر جراحات های شدید شود.
به تصاویر مربوط در انتهای بخش دفترچه راهنما توجه کنید.

موارد استفاده از دستگاه

این دستگاه جهت تمیز کردن (شستن) سطوح و اشیاء در محوطه بیرون، دستگاهها، خودروها و قایقها در نظر گرفته شده است، مادامی که متعلقات متناسب و مواد شوینده مجاز Bosch استفاده شوند.
استفاده از دستگاه طبق دستورات در یک محیط با یک دمای بین 0 و 40 میسر است.
این محصول تنها برای مصارف خانگی در نظر گرفته شده است.

علامت	معنی
	روشن
	خاموش
Lo	فشار کم
Hi	فشار زیاد
	متعلقات

تشریح دستگاه و عملکرد آن

همه دستورات ایمنی و راهنمایی ها را بخوانید. اشتباهات ناشی از عدم رعایت این دستورات ایمنی ممکن است باعث



مشخصات فنی

دستگاه شوینده فشار قوی			EasyAquatak 120	EasyAquatak 110	EasyAquatak 100
شماره فنی			3 600 HA7 9..	3 600 HA7 F..	3 600 HA7 E..
ورودی نامی			1.5	1.3	1.1
دمای ورودی حداکثر			40	40	40
مقدار ورودی آب در دقیقه			5.9	5.5	5.5
فشار مجاز			12	11	10
فشار نامی			8	7.4	6.7
جریان آب			5.4	4.7	4.5
حداکثر فشار ورودی			1	1	1
عملکرد توقف خودکار			●	●	●
وزن مطابق استاندارد EPTA-Procedure 01:2014			4.7	4.2	3.3
کلاس ایمنی			II/□	II/□	II/□
شماره فنی/شماره سری	رجوع شود به شماره سری (برچسب) روی دستگاه شوینده فشار قوی				

مقادیر فوق برای ولتاژ نامی [U] به مقدار 240 V معتبر و مجاز میباشند. این اندازه ها ممکن است در ولتاژهای پایین تر و مدل های دیگر دستگاه، برای کشورهای دیگر در خصوص آن کشور مربوطه تغییر کنند.

نحوه نصب و کاربرد

صفحه	تصویر	تصویر/ هدف کاربری
27	F	شیر آب
28	G	نحوه روشن کردن
28	H	نحوه خاموش کردن
30 - 29	I - J	نصب نازل تنظیم فشار آب خروجی
31	K	اتصال بطری ماده شوینده
32	L	نحوه تمیز کردن نازل
32	M	تمیز کردن هر دو فیلتر
33	N	حمل و نقل
33	O	نگهداری
34	P	نحوه انتخاب متعلقات

صفحه	تصویر	تصویر/ هدف کاربری
24	A	محتویات ارسالی EasyAquatak 100
25	B	محتویات ارسالی EasyAquatak 110/120
26	C	نصب نگهدارنده ی کابل/ در حین استفاده برای نگهداشتن پیستوله
26	D	نصب/برداشتن میله ی آب پاش
26	D	نصب/برداشتن نازل
27	E	نصب/برداشتن شلنگ فشار قوی

نحوه کاربرد دستگاه

برای ایمنی شما



توجه! ابزار برقی را قبل از سرویس یا تمیز کاری خاموش کنید و دوشاخه آنرا از پریز بیرون بکشید. همین کار را در صورت بریدگی، آسیب دیدگی یا کلافه شدن کابل دستگاه انجام دهید.

ولتاژ کاری برابر است با 230 V AC, 50 Hz (برای کشورهای غیر اروپایی 220 V). اطلاعات مربوط را از نمایندگی مجاز Bosch (خدمات پس از فروش) کسب کنید.

چنانچه هنگام کار با دستگاه شوینده فشار قوی از یک کابل رابط استفاده می کنید، کابلهای چند رشته ای زیر لازم هستند:

– 2,5 میلیمتر² تا حداکثر 25 متر طول

تذکر: در صورت استفاده از کابل رابط بایستی کابل همانطور که در دستورات ایمنی ذکر شد، دارای محافظ ارت باشد که از طریق دوشاخه به محافظ ارت سیستم الکتریکی شما متصل است.

در موارد مشکوک به یک متخصص برقی یا نمایندگی مجاز بوش در نزدیکی خود مراجعه کنید.

احتیاط: کابل رابط غیر استاندارد ممکن است خطر ساز باشد. کابل رابط، دوشاخه و مادگی بایستی ضد آب و مناسب با محیط بیرون باشند.



اتصالات کابل (پریز و دوشاخه) بایستی خشک باشند و روی زمین قرار نگیرند.

جهت افزایش ایمنی از یک کلید (RCD) FI (با جریان خطای حداکثر 30 میلی آمپر استفاده شود. این کلید FI بایستی قبل از هر بار کار کنترل شود.

در صورت معیوب بودن کابل اتصال باید آنرا فقط توسط تعمیرگاه های مجاز و خدمات پس از فروش ابزارآلات برقی بوش تعمیر کرد.

تذکر برای محصولات ای در انگلیس فروخته نمی شوند:

توجه: برای ایمنی شما لازم است که دوشاخه روی ابزار باغبانی به کابل رابط وصل باشد. اتصال کابل رابط بایستی در مقابل پاشیدن آب مضمون باشد، از جنس لاستیک باشد یا روکش لاستیکی داشته باشد. کابل رابط باید با یک مهره مهار کنشش بکار برده شود.

توجه کنید که این دستگاه را نباید بدون آب بکار برد.

طرز کار

توجه کنید که این دستگاه را نباید بدون آب بکار برد.

نحوه روشن کردن

شلنگ آب (ارسال نمی شود) را به شیر آب و دستگاه وصل کنید.

مطمئن شوید که کلید در حالت „0“ قرار دارد و دستگاه را به پریز برق بزنید.

شیر آب را باز کنید.

قفل کلید (کلید پشتی روی دسته پیستوله) را فعال کنید تا ماشه را آزاد کنید. ماشه را کاملا فشار دهید تا آب یکنواخت جاری شود و هیچ هوایی در دستگاه و شلنگ فشار قوی وجود نداشته باشد. ماشه را رها کنید. قفل کلید (کلید جلویی روی دسته پیستوله) را فعال کنید.

کلید برق را بچرخانید. پیستوله را به پایین بگیرید. قفل کلید را فعال کنید تا ماشه آزاد شود. ماشه را کاملا فشار دهید.

عملکرد توقف خودکار

دستگاه، موتور را به محض رها کردن ماشه روی دسته پیستوله خاموش می کند.

راهنمائی های عملی

عمومی

هرگز از نازل چرخان یا افشانک نقطه ای جهت تمیز کردن خودروها استفاده نکنید.

مطمئن شوید که دستگاه شوینده فشار قوی روی سطح صاف قرار گرفته است.

با شلنگ فشار قوی زیاد به جلو نروید و دستگاه شوینده فشار قوی را با شلنگ نکشید. این باعث می شود که دستگاه شوینده فشار قوی دیگر ثابت نباشد و واژگون شود.

شلنگ فشار قوی را خم نکنید و با ماشین از روی آن رد نشوید. شلنگ فشار قوی را از لبه های تیز مضمون بردارید.

راهنمائی های عملی جهت کار با مواد شوینده

تنها از مواد شوینده ای استفاده کنید که منحصرأ برای دستگاه شوینده فشار قوی مناسب هستند.

مواد شوینده توصیه شده را بدون رقیق کردن بکار نبرید. این محصولات ایمن هستند چون محتوی اسید، محلولهای شیمیایی یا مواد مضر برای محیط زیست نمی باشند. توصیه می کنیم، مواد شوینده را دور از دسترس کودکان قرار دهید. در صورت تماس چشم با مواد شوینده فوراً چشم را با آب بشویید، در صورت خوردن سریع به پزشک مراجعه کنید.

به نکات هشدار دهنده، کاربری و مربوط به دفع از طرف تولید کننده توجه کنید.

به خاطر حفظ محیط زیست توصیه می کنیم در مصرف مواد شوینده صرفه جویی کنید. به توصیه های موجود روی ظروف جهت رقیق کردن توجه کنید.

روش تمیز کردن پیشنهادی

گام اول: نازل افشانک صاف را نصب و با آن آلودگی های اصلی را بردارید.

تنها برای EasyAquatank 110/120:

گام دوم: بطری مایع شوینده را نصب و با آن کمی کف کنید.

گام سوم: توسط نازل افشانک صاف، آلودگی های جدا شده و مایع شوینده را بشویید.

شلنگ 3 متری را کاملاً زیر آب کنید تا هوا نگیرد. شلنگ مکنده را به شوینده ی فشار قوی متصل کنید و مطمئن شوید که توری مکش زیر آب بماند.

بگذارید شوینده ی فشار قوی با پیستوله برداشته شده کار کند تا آب به طور منظم از شوینده جاری گردد. چنانچه پس از 25 ثانیه هیچ آبی جاری نشد، آن را خاموش و تمام اتصالات را کنترل کنید. در صورت جاری شدن آب، شوینده ی فشار قوی را خاموش کنید و جهت کار پیستوله و نازل آبپاش را وصل کنید. مهم است که شلنگ و کوپلها کیفیت خوبی داشته باشند، آب بندی متصل شده و واشرها سالم و درست قرار گرفته باشند. اتصالات آب بندی نشده می توانند مکش را دچار اختلال کنند.

ظروف (بشکه) آب دارای شیر تخلیه

چنانچه شوینده ی فشار قوی به یک تانکر دارای شیر تخلیه ی مناسب متصل شده باشد، بایستی اول یک شلنگ آب (ارسال نمی شود) به شیر وصل کرد. شیر را باز کنید، تا همه ی هوای درون شلنگ بیرون رود و سپس آن را به شوینده ی فشار قوی متصل نمایید.

تذکر: هنگام تمیز کردن سطوح عمودی توسط مواد شوینده از پایین شروع کنید و به طرف بالا کار کنید. هنگام آب گرفتن از بالا به پایین کار کنید.

استفاده در آبهای دیگر

این شوینده ی فشار قوی خود مکنده است و با آن می توان آب را از ظروف یا چشمه های طبیعی کشید. بسیار مهم است، که فیلتر Bosch روی ورودی آب پاک شده و نصب باشد و تنها آب تمیز مکیده شود.

تانکرهای باز/ظروف و آبهای طبیعی

از متعلقات خود مکنده ی شامل زیر استفاده کنید:

- توری مکش با سوپاپ ضربه به عقب
 - شلنگ مکش قوی 3 متری
 - کوپلینگ اونیورسال برای شوینده ی فشار قوی
- با این متعلقات می توان با شوینده ی قوی آب را نیم متر بالاتر از سطح آب مکید. این کار ممکن است 15 ثانیه طول بکشد.

جستجوی خطا

ایرادها	دلیل ممکن	راهنمایی
موتور راه نمی افتد	دوشاخه وصل نیست	دوشاخه را وصل کنید
	پریز خراب است	از پریز دیگر استفاده کنید
	کلید محافظ فعال است/ فیوز سوخته است	کلید محافظ را برگردانید یا فیوز را عوض کنید و/یا یک منبع برق با ظرفیت مصرف بالای آمپر را انتخاب کنید
	کابل رابط آسیب دیده است	بدون کابل رابط امتحان کنید
	محافظ موتور فعال شده است	بگذارید موتور برای 15 دقیقه خنک شود
	یخ زده است	بگذارید یخ پمپ، شلنگ آب یا متعلقات آب شود
موتور متوقف می شود	کلید محافظ فعال است/ فیوز سوخته است	کلید محافظ را برگردانید یا فیوز را عوض کنید و/یا یک منبع برق با ظرفیت مصرف بالای آمپر را انتخاب کنید
	ولتاژ کافی نیست	ولتاژ شبکه را کنترل کنید، بایستی با مقدار مندرج روی برچسب دستگاه مطابق باشد
	محافظ موتور فعال شده است	بگذارید موتور برای 15 دقیقه خنک شود
کلید محافظ فعال است	کلید محافظ خیلی ضعیف است	یک منبع برق با امکان مصرف بالای برق را انتخاب کنید
موتور کار می کند ولی فشار وجود ندارد	نازل کمی گرفته است	نمونه تمیز کردن نازل
صدای موتور می آید ولی کارایی وجود ندارد	ولتاژ کافی نیست	کنترل کنید که ولتاژ برق شبکه با مقدار مندرج روی برچسب دستگاه منطبق باشد
	ولتاژ به دلیل استفاده کابل رابط خیلی کم است	کنترل کنید که کابل رابط مناسب باشد
	دستگاه مدت طولانی بدون استفاده مانده است	به یکی از تعمیرگاه های مجاز و خدمات پس از فروش ابزارآلات برقی بوش مراجعه کنید

ایرادها	دلیل ممکن	راهنمایی
	مشکلات در مورد عملکرد توقف خودکار	به یکی از تعمیرگاه های مجاز و خدمات پس از فروش ابزارآلات برقی بوش مراجعه کنید
فشار ضربان دار	وجود هوا در شلنگ آب یا پمپ	بگذارید دستگاه شوینده فشار قوی با پیستوله باز، شیر باز و روی نازل فشار کم کار کند تا فشار متعادل کاری بدست آید
	تأمین آب صحیح نیست	کنترل کنید که شیر آب با مندرجات در بخش مشخصات فنی مطابق باشد. کوچکترین شلنگهای قابل استفاده عبارتند از "1/2" یا Ø 13 mm
	فیلتر آب گرفته است	فیلتر آب را تمیز کنید
	شلنگ آب خم شده یا گره خورده است	شلنگ آب را صاف کنید
	شلنگ فشار قوی خیلی بلند است	رابط شلنگ فشار قوی را جدا کنید، حداکثر طول شلنگ 7 متر است
فشار متعادل ولی خیلی کم است نکته: یکی از متعلقات خاص باعث کم کردن فشار می شود	نازل فرسوده شده است سوپاپ استارت/توقف فرسوده شده است	نازل را عوض کنید ماشه را 5 بار پشت سر هم فعال کنید
موتور کار می کند ولی فشار محدود است یا فشار کاری وجود ندارد	آب وصل نیست فیلتر گرفته است نازل گرفته است	آب را وصل کنید نمونه تمیز کردن فیلتر نمونه تمیز کردن نازل
دستگاه شوینده فشار قوی خود به خود روشن می شود	پمپ یا پیستوله، آب بندی نیستند	به یکی از تعمیرگاه های مجاز و خدمات پس از فروش ابزارآلات برقی بوش مراجعه کنید
دستگاه آب بندی نیست	پمپ، آب بندی نیست	کم شدن (تبخیر) مقادیر کم آب عادی است؛ در صورت کاهش زیاد آب به نمایندگی مراجعه کنید

مراجعه کنید تا از بروز خطرات ایمنی جلوگیری بعمل آید.

پس از استفاده/نگهداری

کلید قطع و وصل را خاموش کنید و ماشه را فعال نمایید تا فشار افزوده را کاهش دهید و شلنگ فشار قوی را خالی کنید.

قسمتهای بیرونی دستگاه شوینده فشار قوی را به کمک یک برس نرم یا یک دستمال تمیز کنید. از آب، مواد حلال و ساینده نباید استفاده کنید. تمام آلودگیها را بزدابید، بخصوص شیرهای تهویه موتور را تمیز کنید.

نگهداری در انبار پس از اتمام فصل: همه آنها را از پمپ خارج کنید، بدین صورت که موتور را روشن می گذارید و ماشه را فعال می کنید.

هیچ جسمی را روی دستگاه قرار ندهید. دستگاه را در محیط عاری از یخزدگی نگهداری کنید. مطمئن شوید که کابل، هنگام در انبار قرار دادن دستگاه گیر نکند. شلنگ فشار قوی را خم نکنید.

فیلتر

کاربری دو فیلتر (فیلتر درون و بیرون) حفاظت در برابر ورود آلودگیها به دستگاه را افزایش میدهد و

مراقبت و سرویس

سرویس

قبل از هر کاری روی دستگاه، دوشاخه را بکشید و شیر آب را قطع کنید.

تذکر: جهت تضمین کارایی طولانی، دستگاه را در موارد زیر سرویس کنید.

کاربری دو فیلتر (فیلتر درون و بیرون) حفاظت در برابر ورود آلودگیها به دستگاه را افزایش میدهد و عمر محصول را زیاد میکند. مطمئن شوید که هر دو فیلتر همواره تمیز و بدون آلودگی هستند.

دستگاه را از لحاظ داشتن معایبی مانند شل بودن اتصالات و داشتن قسمتهای فرسوده یا آسیب دیده کنترل کنید.

کنترل کنید که سرپوشها و تجهیزات ایمنی بی عیب و صحیح نصب شده باشند. قبل از کار، سرویس و تعمیرهای احتمالی را انجام دهید.

در صورت نیاز به یک کابل یدکی برای اتصال به شبکه برق، بایستی به شرکت **Bosch** یا به نمایندگی مجاز **Bosch** (خدمات پس از فروش) برای ابزار آلات برقی

عمر محصول را زیاد میکند.
مطمئن شوید که هر دو فیلتر همواره تمیز و بدون آلودگی هستند.

حفظ محیط زیست

مواد شیمیایی مضر برای محیط زیست نباید به زمین، آبراهها، برکه ها و رودها وارد شوند.
هنگام استفاده از مواد شوینده به مندرجات روی بسته و ترکیب توصیه شده توجه کنید.
هنگام تمیز کردن خودروها به مقررات محلی توجه کنید: باید از وارد شدن روغن پاشیده شده به آبراه جلوگیری کرد.

خدمات و مشاوره با مشتریان

خدمات مشتری، به سؤالات شما درباره تعمیرات، سرویس و همچنین قطعات یدکی پاسخ خواهد داد. نقشه‌های سه بعدی و اطلاعات مربوط به قطعات یدکی را در تارنمای زیر میباید:

www.bosch-pt.com

گروه مشاوره به مشتریان Bosch با کمال میل به سؤالات شما درباره محصولات و متعلقات پاسخ می‌دهند.

برای هرگونه سؤال و یا سفارش قطعات یدکی، حتماً شماره فنی 10 رقمی کالا را مطابق برچسب روی ابزار برقی اطلاع دهید.

ایران

روبرت بوش ایران - شرکت بوش تجارت پارس
میدان ونک، خیابان شهید خدای، خیابان آفتاب
ساختمان مادیران، شماره 3، طبقه سوم.

تهران 1994834571

تلفن: 42039000+9821

آدرس سایر دفاتر خدماتی را در ادامه بباید:

www.bosch-pt.com/serviceaddresses

از رده خارج کردن دستگاه

محصولات، متعلقات و بسته بندی آن، باید طبق مقررات حفظ محیط زیست از رده خارج و بازیافت شوند.

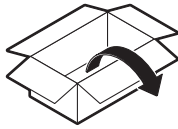
محصولات را داخل زباله دان خانگی نیاندازید!



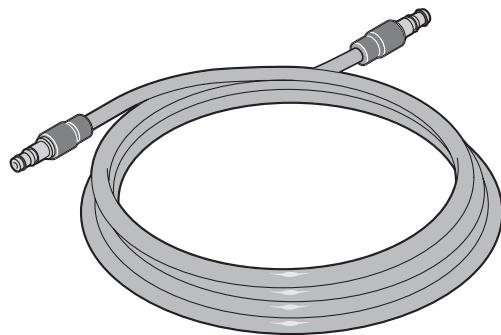
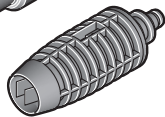
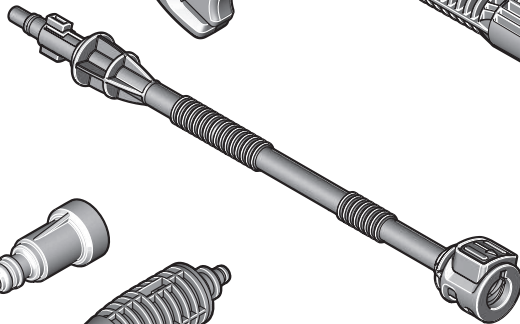
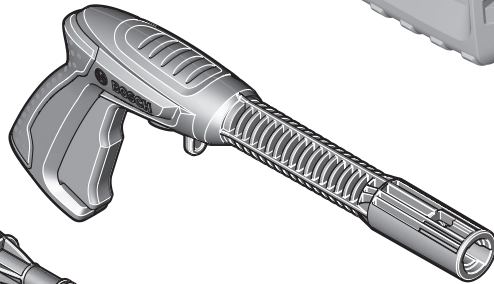
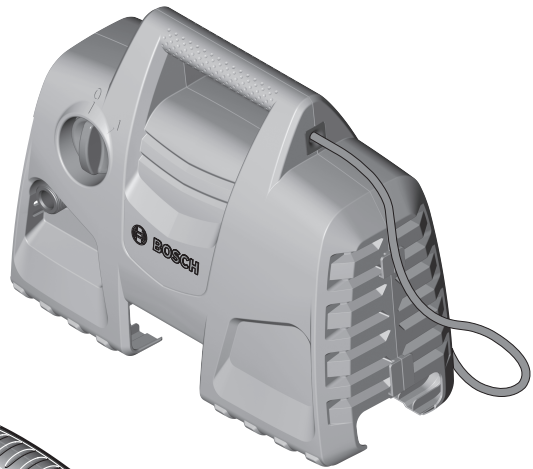
فقط برای کشورهای عضو اتحادیه اروپا:

طبق آئین نامه و دستورالعمل اروپایی 2012/19/EU در باره دستگاههای کهنه الکتریکی و الکترونیکی و تبدیل آن به حق ملی، باید ابزارهای برقی غیرقابل استفاده را جداگانه جمع آوری کرد و نسبت به بازیافت مناسب با محیط زیست اقدام بعمل آورد.
در صورت دفع نادرست ضایعات تجهیزات الکتریکی و الکترونیکی، به دلیل وجود احتمالی مواد خطرناک، اثرات مضر بر محیط زیست و سلامت انسان خواهند داشت.

A

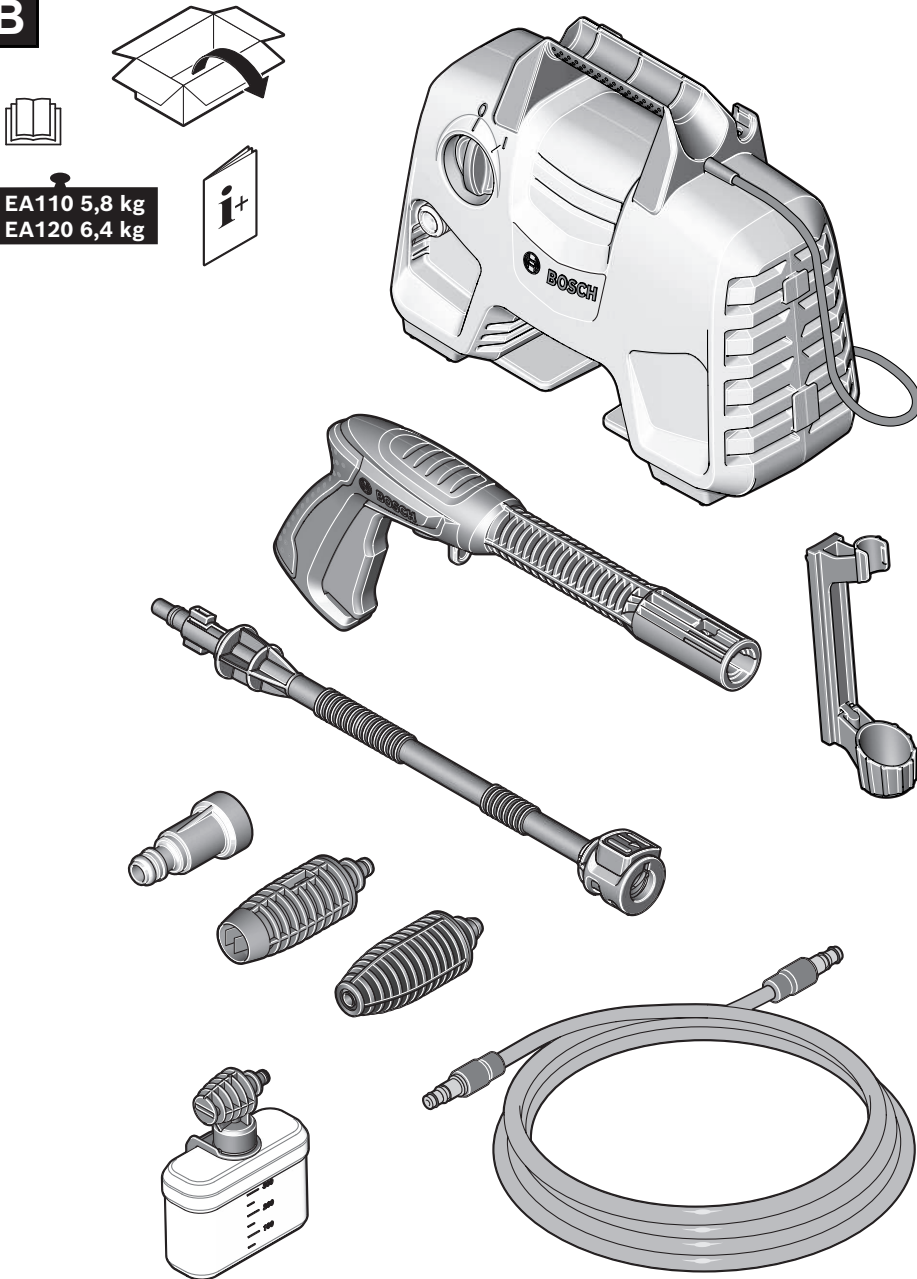


4,7 kg



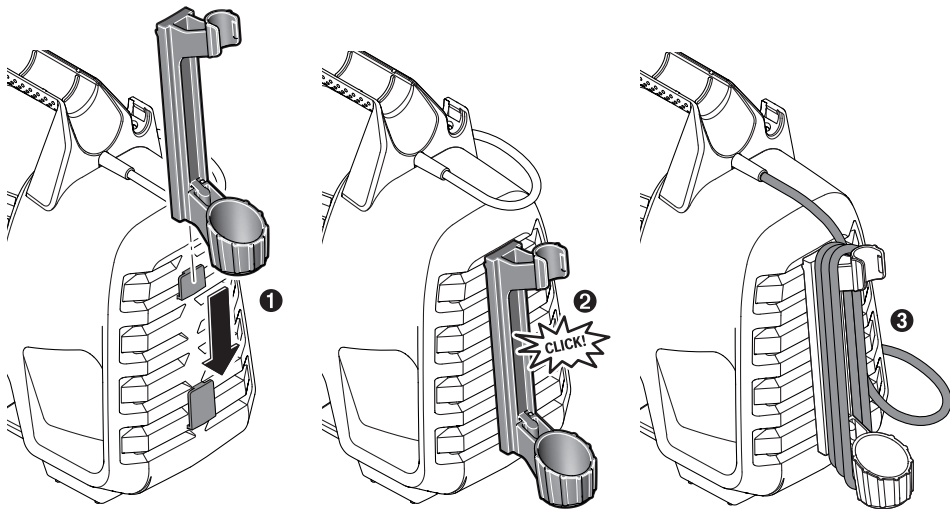
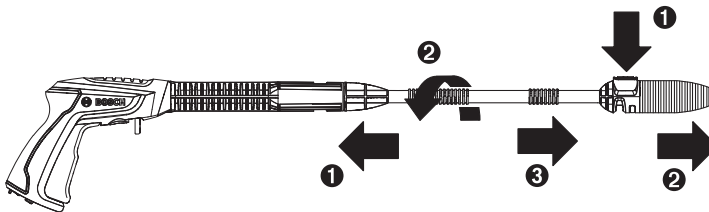
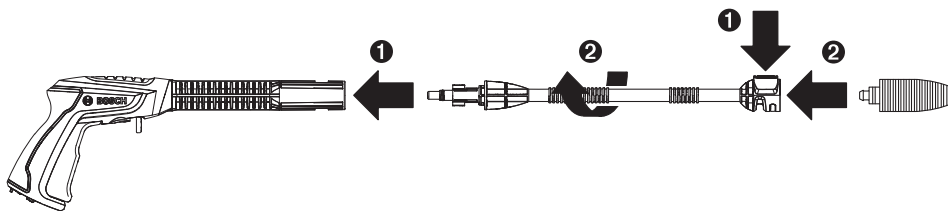
EasyAquatank 100

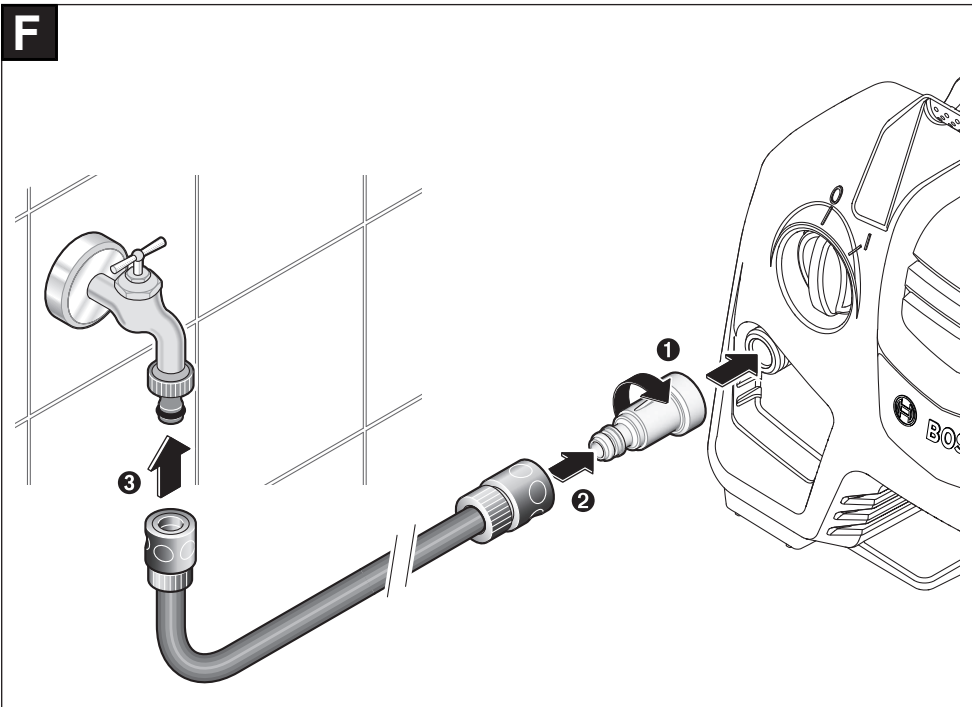
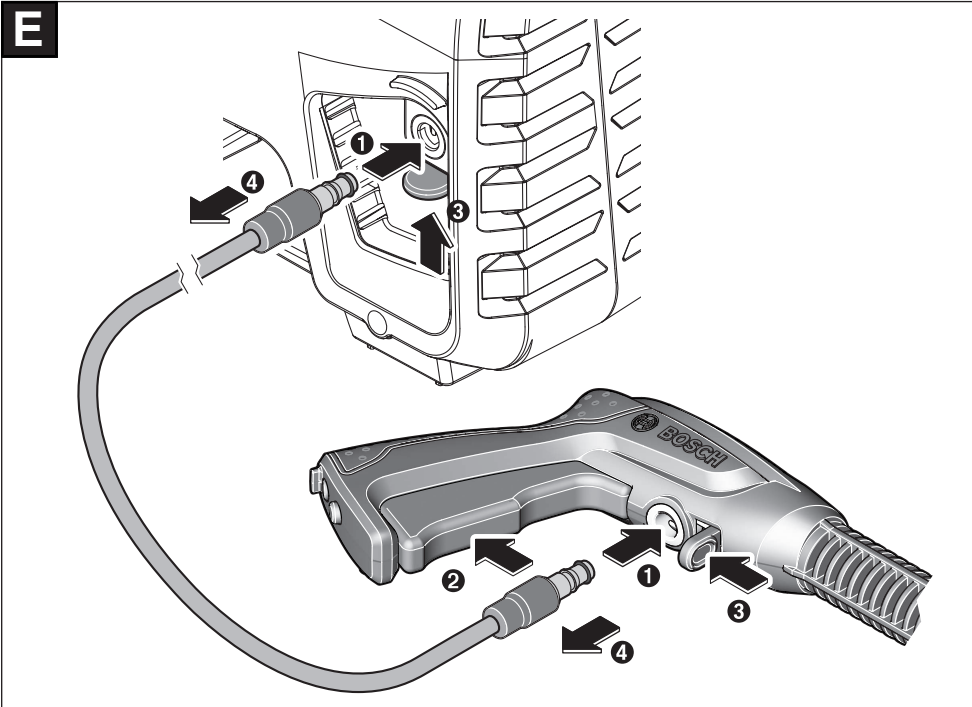
B

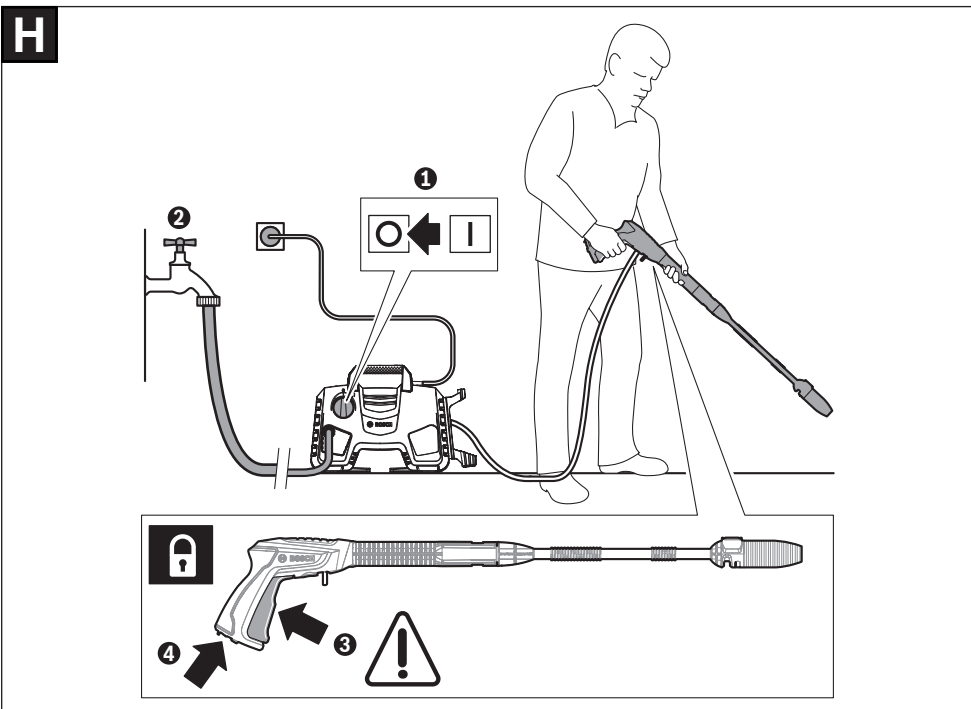
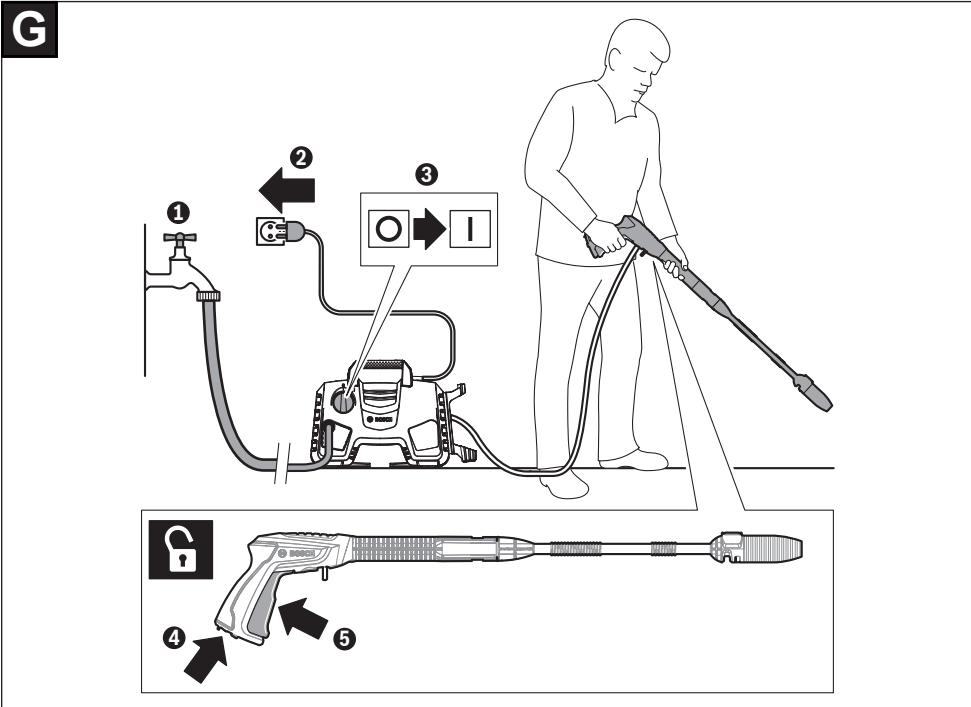


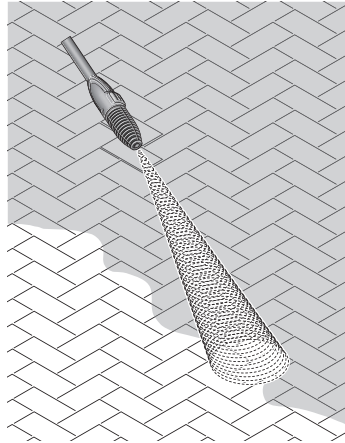
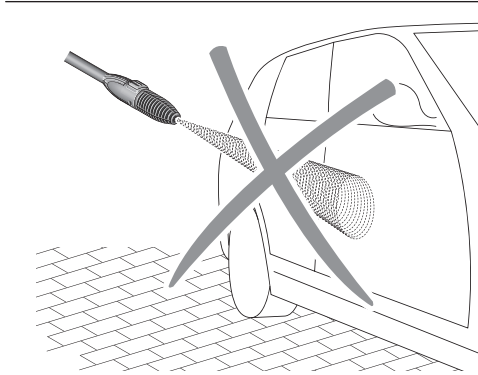
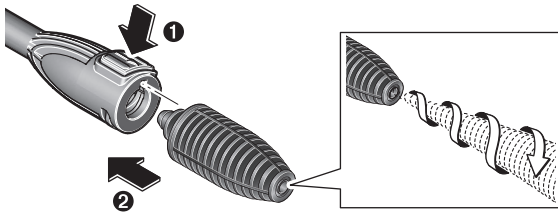
EA110 5,8 kg
EA120 6,4 kg

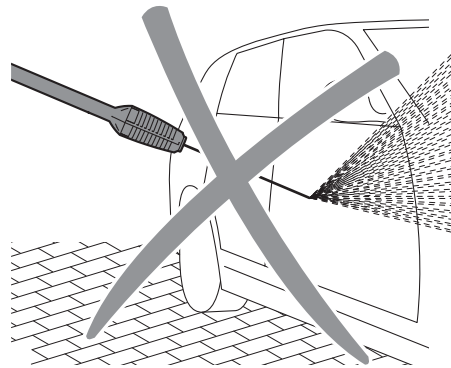
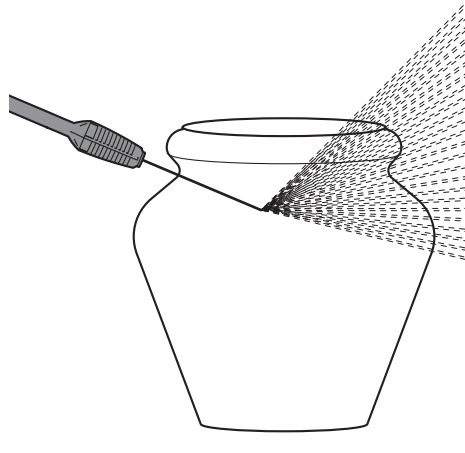
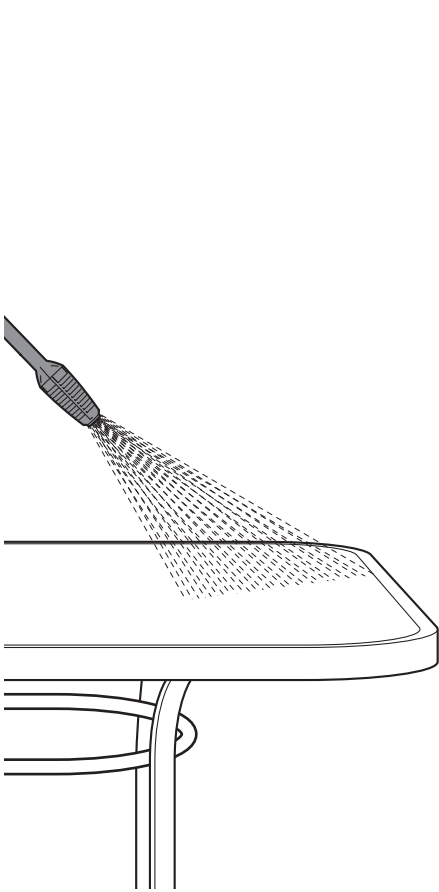
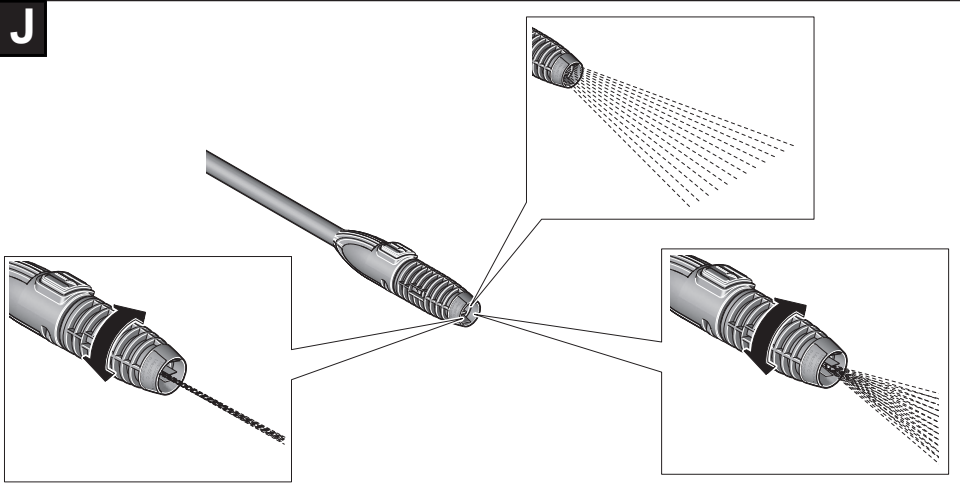
EasyAquatank 110/120

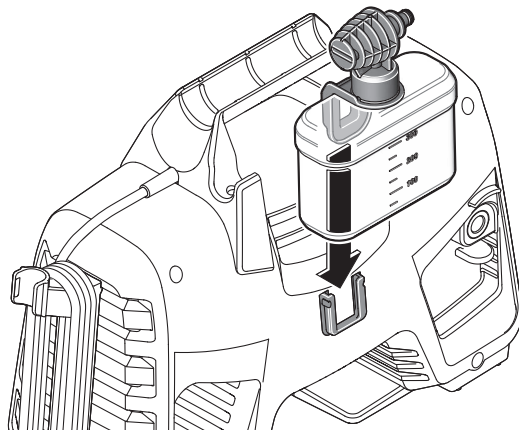
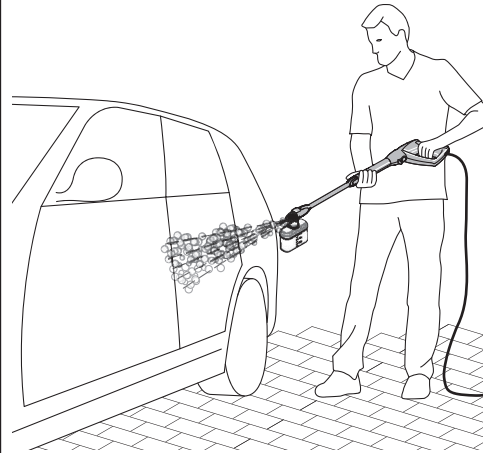
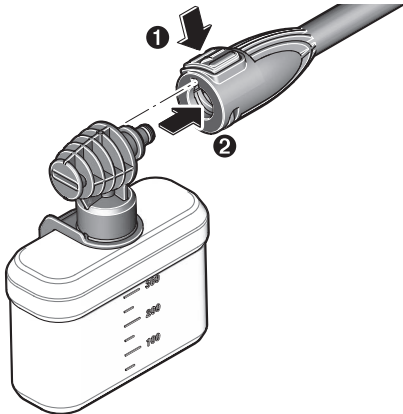
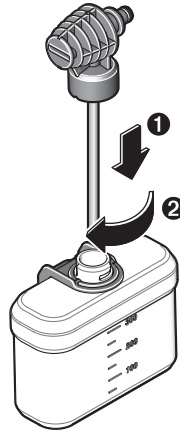
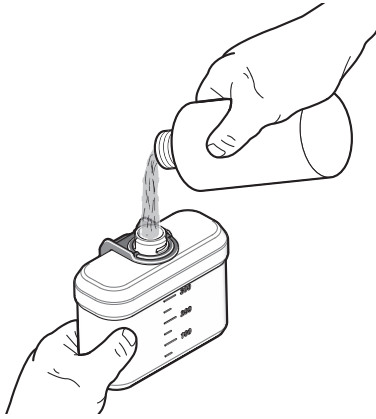
C**EasyAquatank 110/120****D**

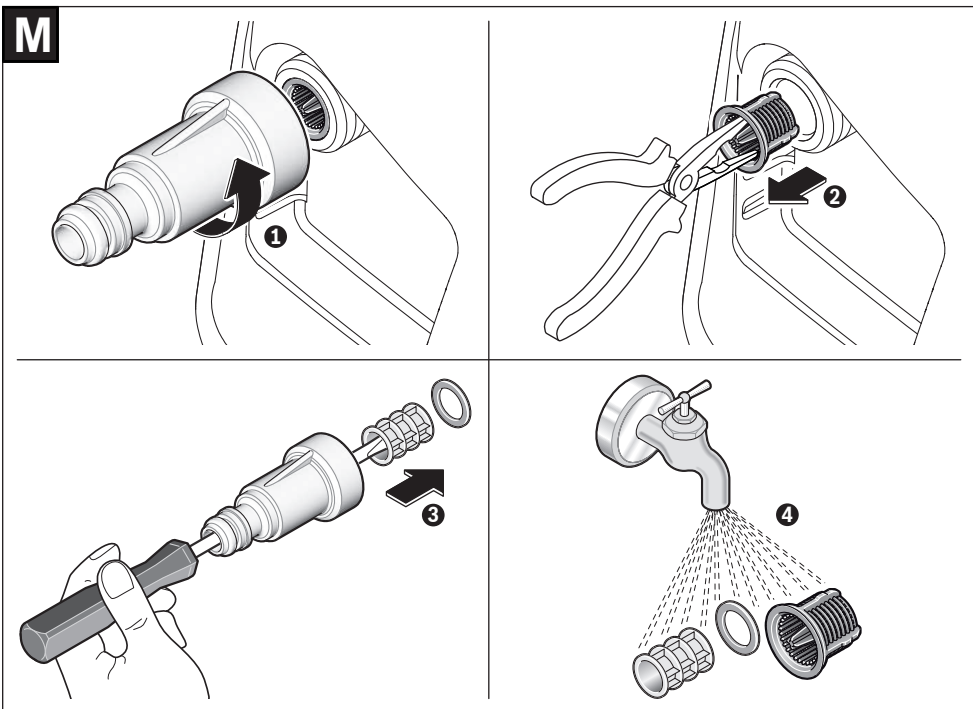
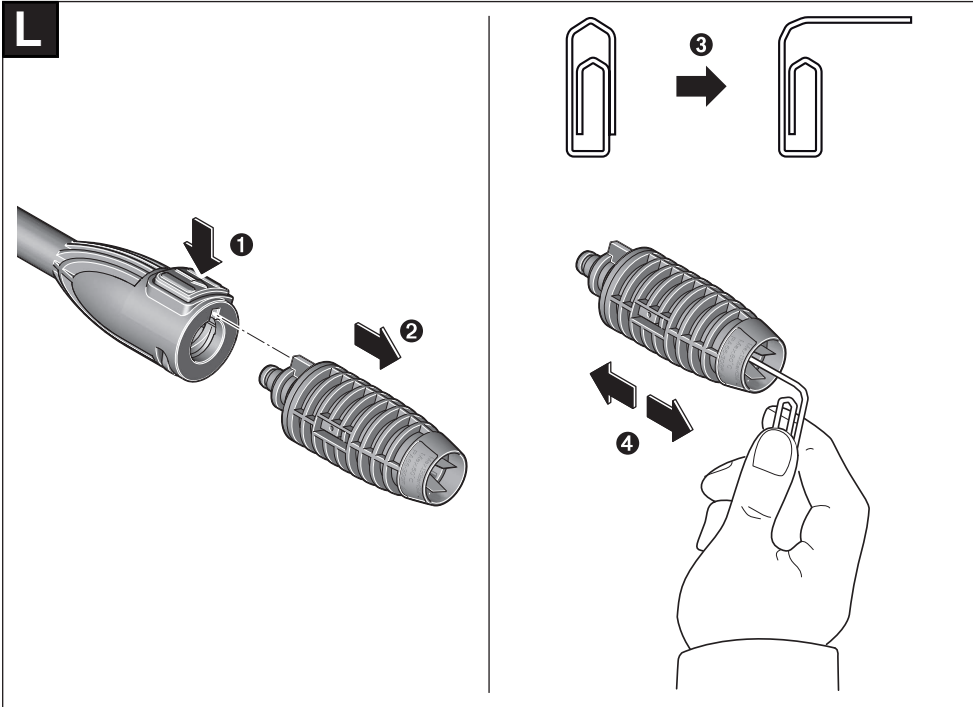


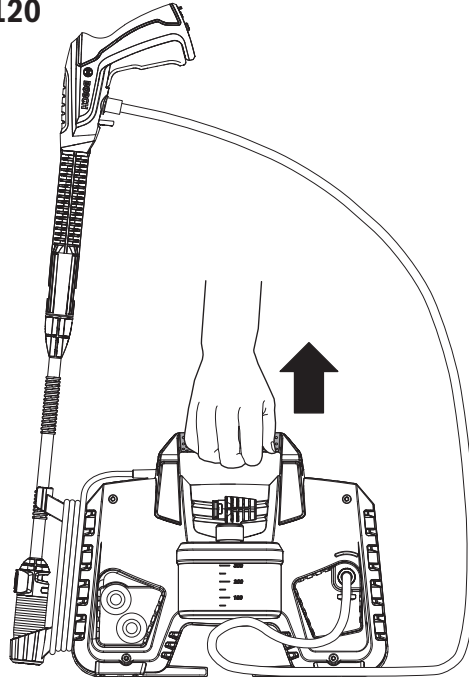
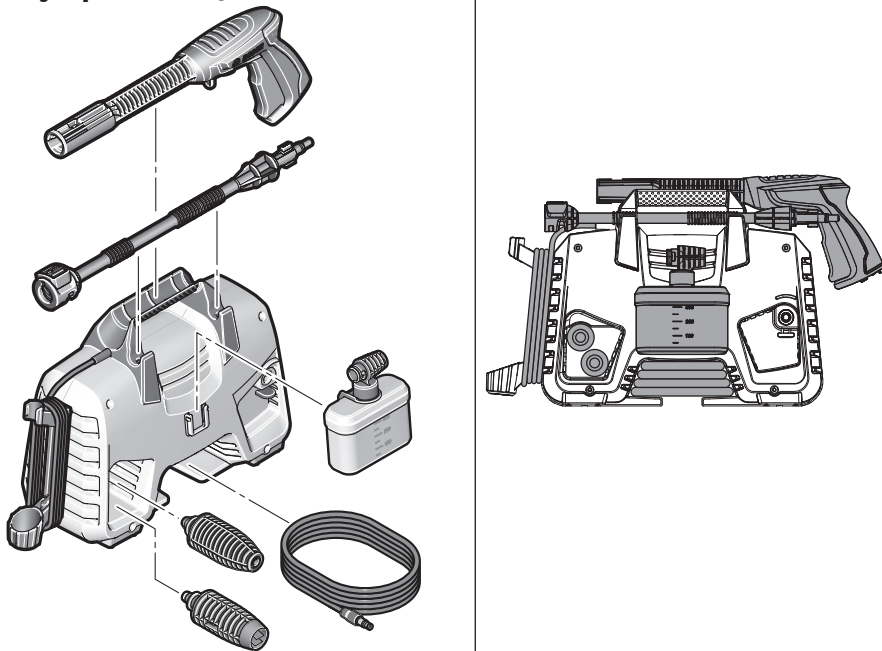


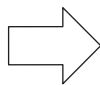
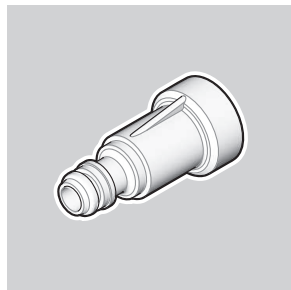
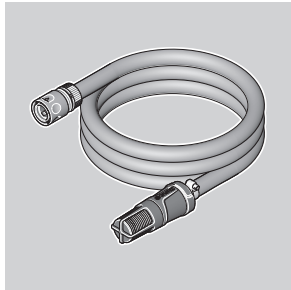
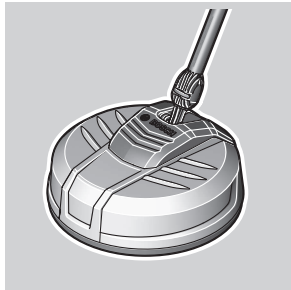
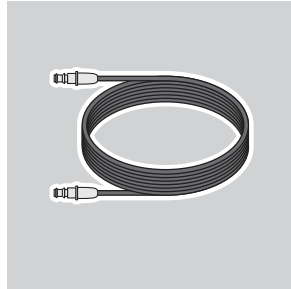
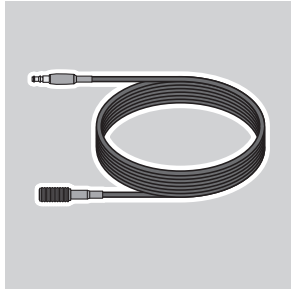
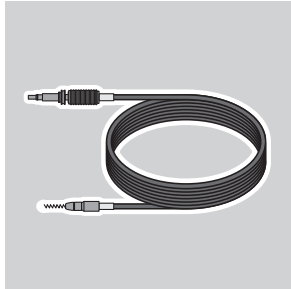
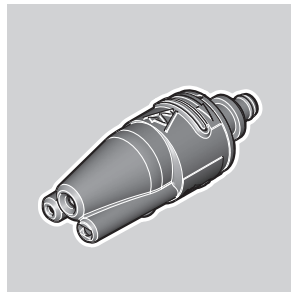
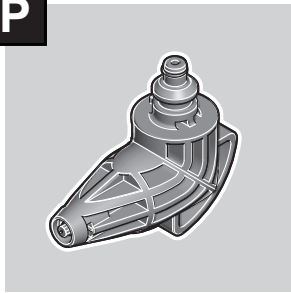
I EasyAquatak 110/120

J

K EasyAquatak 110/120



N EasyAquatak 110/120**O** EasyAquatak 110/120

P

www.bosch-pt.com